

# **SLS18** 18 ga. Finish Stapler

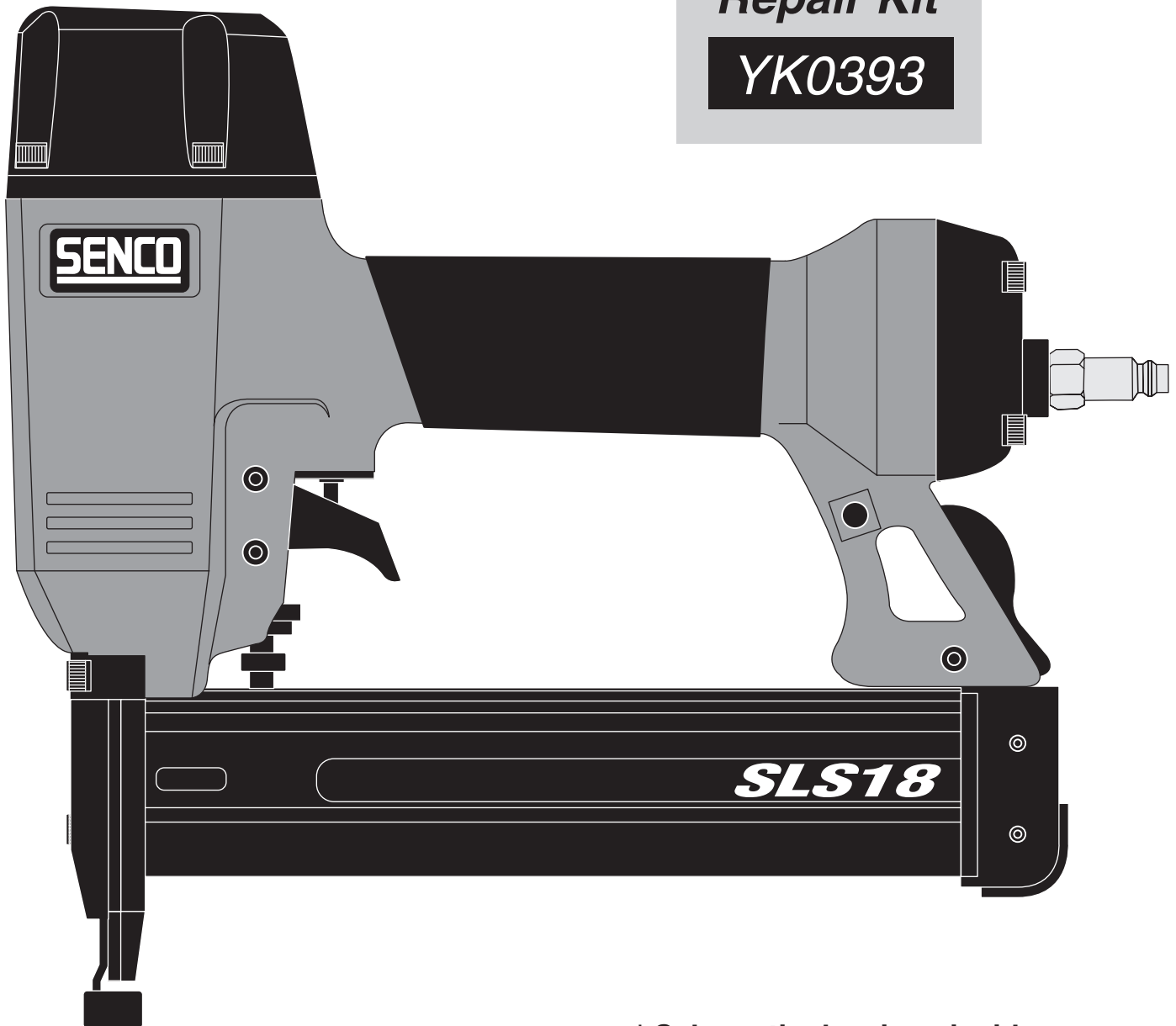


## **Parts Reference Guide**



**Repair Kit**

**YK0393**

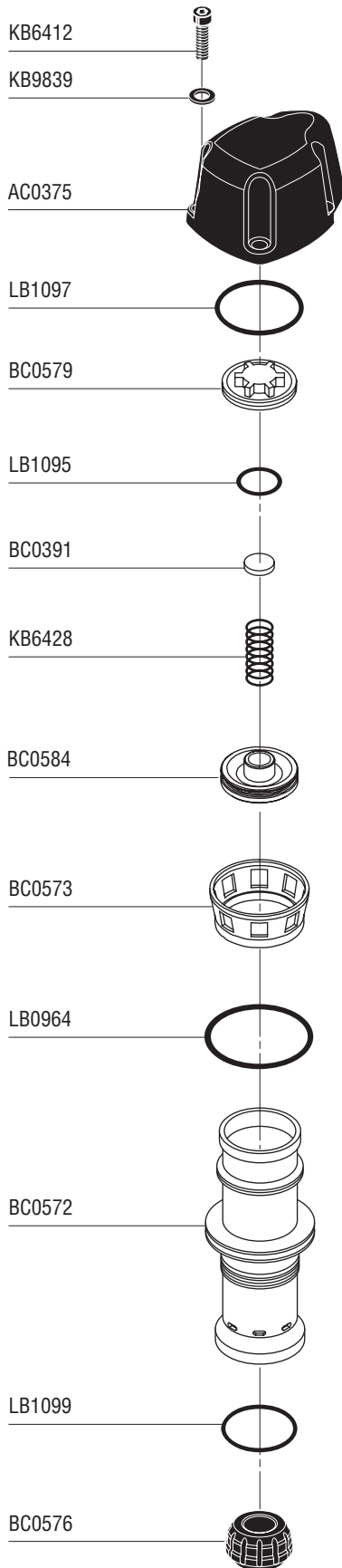


\* Schematic drawings inside

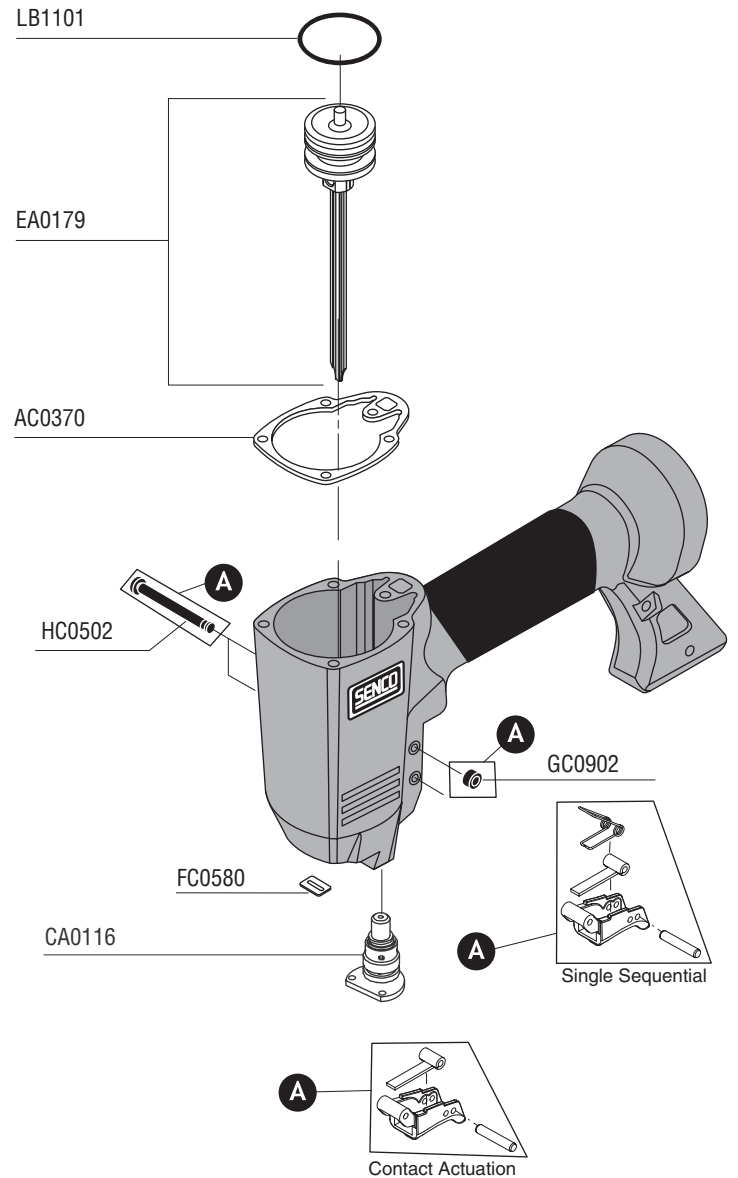
Senco Products Inc.  
8485 Broadwell Road  
Cincinnati, Ohio 45244

Questions? Comments? call SENCO's toll-free Action-line:  
1-800-543-4596 (North and South America Only)  
or e-mail: [toolprof@senco.com](mailto:toolprof@senco.com)

Visit Our Website: [www.senco.com](http://www.senco.com)



| Tool #  | Model                        |
|---------|------------------------------|
| 1W0002N | Single-Sequential /Case      |
| 1W1001N | Single-Sequential (Japan)    |
| 1W2001N | Single-Sequential (Euro)     |
| 1W2002N | Contact Actuation (Euro)     |
| 1W3001N | Single-Sequential (AU) /Case |
| 1W3002N | Contact Actuation (AU) /Case |



| Tool #  | Model                     | A      | B      | C      |
|---------|---------------------------|--------|--------|--------|
| 1W0002N | Single-Sequential (US)    | HA0192 | HG0190 | GA0497 |
| 1W1001N | Single-Sequential (Japan) | HA0192 | HG0193 | GA0505 |
| 1W2001N | Single-Sequential (Euro)  | HA0192 | HG0194 | GA0501 |
| 1W2002N | Contact Actuation (Euro)  | HA0193 | HG0194 | GA0501 |
| 1W3001N | Single-Sequential (AU)    | HA0192 | HG0190 | GA0497 |
| 1W3002N | Contact Actuation (AU)    | HA0193 | HG0190 | GA0497 |



# SLS18 18 ga. Finish Stapler

REPLACEMENT PARTS LIST • LISTA DE PARTES DE REPUESTO • ERSATZTEILE-LISTE • LISTE DE PIÈCES DE RECHANGE

| PART NO. | DESCRIPTION                      | DESCRIPCIÓN         | BESCHREIBUNG           | DÉSIGNATION             |
|----------|----------------------------------|---------------------|------------------------|-------------------------|
| AC0368   | MUFFLER                          | SILENCIADOR         | DÄMPFER                | SILENCIEUX              |
| AC0370   | SEAL                             | SELLO               | DICHTUNG               | JOINT                   |
| AC0371   | SEAL                             | SELLO               | DICHTUNG               | JOINT                   |
| AC0375   | CYLINDER CAP                     | TAPA                | KAPPE                  | BOUCHON                 |
| AC0377   | COVER                            | CUBIERTA            | ABDECKUNG              | COUVERCLE               |
| AC0378   | COVER                            | CUBIERTA            | ABDECKUNG              | COUVERCLE               |
| BC0391   | SEAL                             | SELLO               | DICHTUNG               | JOINT                   |
| BC0572   | CYLINDER                         | CILINDRO            | ZYLINDER               | CYLINDRE                |
| BC0573   | RETAINER                         | JUNTA TÓRICA        | SICHERUNGSRING         | RETENUE                 |
| BC0576   | BUMPER                           | AMORTIGUADOR        | PUFFER                 | AMORTISSEUR             |
| BC0579   | EXHAUST VALVE SITE               | ASAMBLE DE VÁLVULA  | VENTIL-ZUSAMMENBAU     | VALVE D'ASSEMBLÉE       |
| BC0580   | TUBE                             | TUBO                | ROHR                   | TUBE                    |
| BC0584   | PISTON ASSEMBLY                  | ASAMBLE DE PISTON   | KOLBEN-ZUSAMMENBAU     | ENSEMBLE PISTON-COUTEAU |
| CA0116   | TRIGGER VALVE HEAD SET           | ASAMBLE DE VÁLVULA  | VENTIL-ZUSAMMENBAU     | VALVE D'ASSEMBLÉE       |
| EA0179   | PISTON ASSEMBLY                  | ASAMBLE DE PISTON   | KOLBEN-ZUSAMMENBAU     | ENSEMBLE PISTON-COUTEAU |
| FC0580   | WASHER                           | ARANDELA            | SCHEIBE                | RONDELLE                |
| FC0588   | INSERT                           | ACOPLAMIENTO        | EINSATZ                | INSERT                  |
| FC0589   | INSERT                           | ACOPLAMIENTO        | EINSATZ                | INSERT                  |
| FC0590   | INSERT                           | ACOPLAMIENTO        | EINSATZ                | INSERT                  |
| FC0592   | GUIDE                            | GUÍA                | FÜHRUNG                | GUIDE                   |
| GA0493   | COVER                            | CUBIERTA            | ABDECKUNG              | COUVERCLE               |
| GA0497   | MAGAZINE ASSEMBLY (US)           | ASAMBLE DE CARGADOR | MAGAZIN-ZUSAMMENBAU    | ENSEMBLE MAGASIN        |
| GA0501   | MAGAZINE ASSEMBLY (EU)           | ASAMBLE DE CARGADOR | MAGAZIN-ZUSAMMENBAU    | ENSEMBLE MAGASIN        |
| GA0505   | MAGAZINE ASSEMBLY (EU)           | ASAMBLE DE CARGADOR | MAGAZIN-ZUSAMMENBAU    | ENSEMBLE MAGASIN        |
| GC0902   | RETAINER                         | JUNTA TÓRICA        | SICHERUNGSRING         | RETENUE                 |
| GC1095   | PIN                              | PASADOR             | STIFT                  | GOUPILLE                |
| GC1097   | SPRING                           | RESORTE             | FEDER                  | RESSORT                 |
| GC1102   | MAGAZINE SUPPORT                 | SOPORTE             | HALTERUNG              | CAVALIER                |
| GC1104   | FEEDER SHOE                      | ALIMENTADOR         | NAGELSCHIEBER          | POUSSOIR                |
| GC1113   | GUIDE                            | GUÍA                | FÜHRUNG                | GUIDE                   |
| GC1116   | LATCH                            | UÑETA               | VERSCHLUSS             | DOIGT DE RETENUE        |
| GC1119   | STOP                             | TOPE                | PUFFER                 | ARRÊT                   |
| GC1120   | RETAINER                         | JUNTA TÓRICA        | SICHERUNGSRING         | RETENUE                 |
| GC1122   | RETAINER                         | JUNTA TÓRICA        | SICHERUNGSRING         | RETENUE                 |
| GC1125   | MAGAZINE ASSEMBLY                | ASAMBLE DE CARGADOR | MAGAZIN-ZUSAMMENBAU    | ENSEMBLE MAGASIN        |
| HA0192   | TRIGGER ASSY (Single Sequential) | ASAMBLE DE GATILLO  | AUSLÖSER               | ENSEMBLE GÂCHETTE       |
| HA0193   | TRIGGER ASSY (CONTACT)           | ASAMBLE DE GATILLO  | AUSLÖSER               | ENSEMBLE GÂCHETTE       |
| HC0501   | SHAFT RING                       | ANILLO              | REIFEN                 | ANNEAU                  |
| HC0502   | PIN                              | PASADOR             | STIFT                  | GOUPILLE                |
| HC0507   | NO-MAR PAD                       | AMORTIGUADOR        | SCHUTZ                 | COUSSIN                 |
| HC0512   | SAFETY ELEMENT                   | ASAMBLE DE SEGURO   | SICHERHEITSVORRICHTUNG | PALPEUR DE SÉCURITÉ     |
| HC0517   | PLATE                            | PLACA               | PLATTE                 | PLAQUE                  |
| HC0519   | PLATE                            | PLACA               | PLATTE                 | PLAQUE                  |
| HC0520   | SAFETY ADJUSTMENT WHEEL          | MANIVELA            | RÄNDELSCHRAUBE         | MOLETTE                 |
| HG0190   | LABEL (US)                       | ETIQUETA            | AUFKLEBER              | ÉTIQUETTE               |
| HG0193   | LABEL (JAPAN)                    | ETIQUETA            | AUFKLEBER              | ÉTIQUETTE               |
| HG0194   | LABEL (EU)                       | ETIQUETA            | AUFKLEBER              | ÉTIQUETTE               |
| KB3588   | SCREW                            | TORNILLO            | SCHRAUBE               | VIS                     |
| KB3599   | RETAINER                         | JUNTA TÓRICA        | SICHERUNGSRING         | RETENUE                 |
| KB6412   | SCREW                            | TORNILLO            | SCHRAUBE               | VIS                     |
| KB6413   | SCREW                            | TORNILLO            | SCHRAUBE               | VIS                     |
| KB6415   | SCREW                            | TORNILLO            | SCHRAUBE               | VIS                     |
| KB6420   | PIN                              | PASADOR             | STIFT                  | GOUPILLE                |
| KB6421   | PIN                              | PASADOR             | STIFT                  | GOUPILLE                |
| KB6424   | PIN                              | PASADOR             | STIFT                  | GOUPILLE                |
| KB6428   | SPRING                           | RESORTE             | FEDER                  | RESSORT                 |
| KB6429   | SPRING                           | RESORTE             | FEDER                  | RESSORT                 |
| KB6430   | SPRING                           | RESORTE             | FEDER                  | RESSORT                 |
| KB9826   | SCREW                            | TORNILLO            | SCHRAUBE               | VIS                     |
| KB9830   | SCREW                            | TORNILLO            | SCHRAUBE               | VIS                     |
| KB9839   | WASHER                           | ARANDELA            | SCHEIBE                | RONDELLE                |
| LB0964   | SEAL                             | SELLO               | DICHTUNG               | JOINT                   |
| LB1095   | SEAL                             | SELLO               | DICHTUNG               | JOINT                   |
| LB1096   | SEAL                             | SELLO               | DICHTUNG               | JOINT                   |
| LB1097   | SEAL                             | SELLO               | DICHTUNG               | JOINT                   |
| LB1099   | SEAL                             | SELLO               | DICHTUNG               | JOINT                   |
| LB1101   | SEAL                             | SELLO               | DICHTUNG               | JOINT                   |