

SENCO®



SLS15 18 ga. *Finish Stapler*

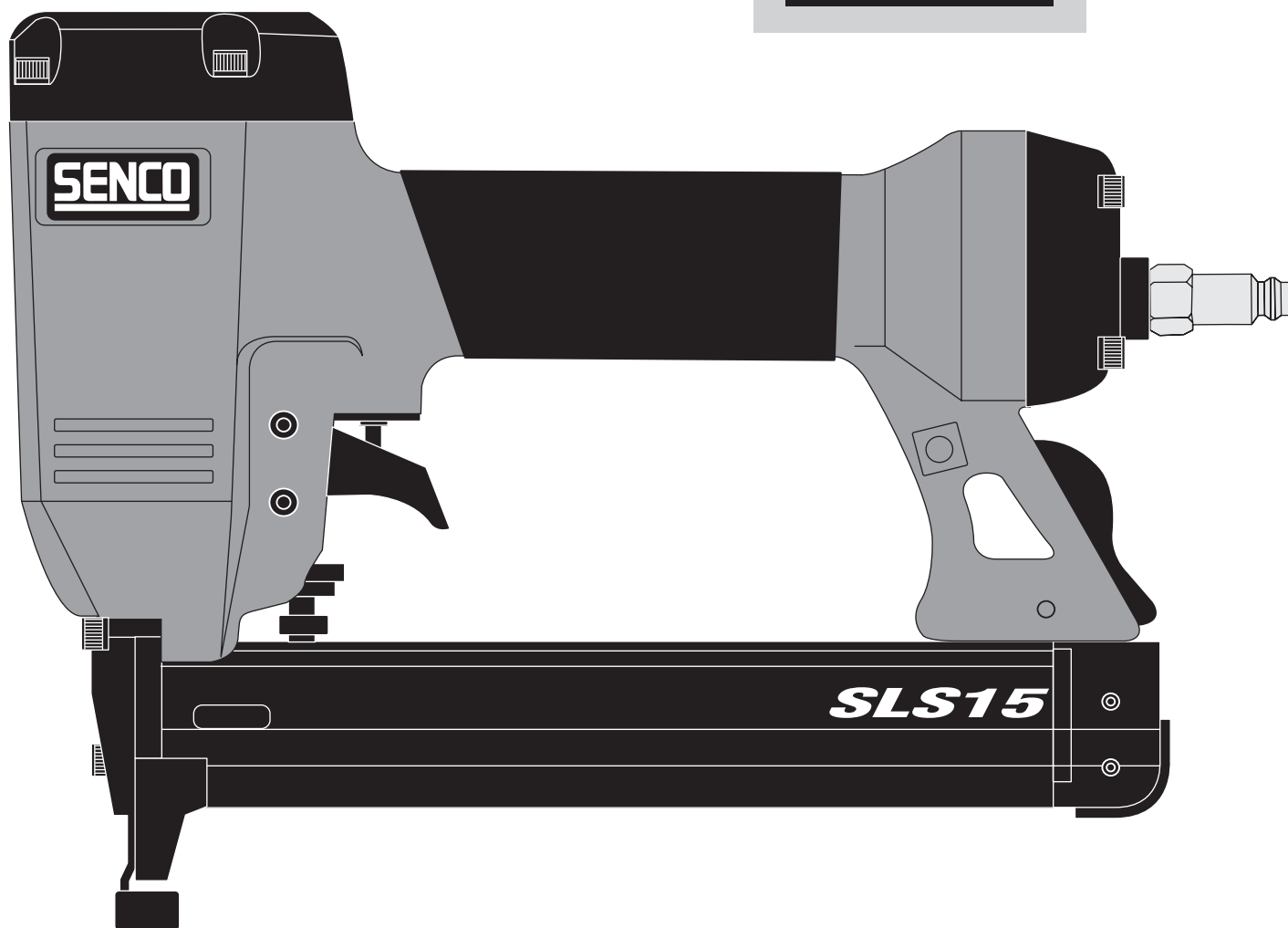


Parts Reference Guide



Repair Kit

YK0393



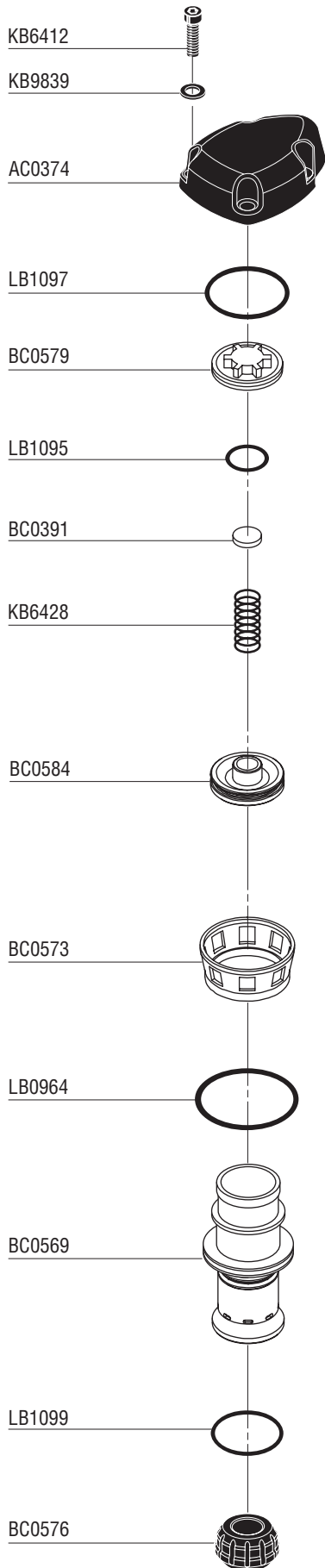
*** Schematic drawings inside**

NFG01V Revised July 26, 2007 (Replaces 1/27/06) © 2002, 2007 by SENCO Products, Inc. Cincinnati, Ohio 45244 - U.S.A.

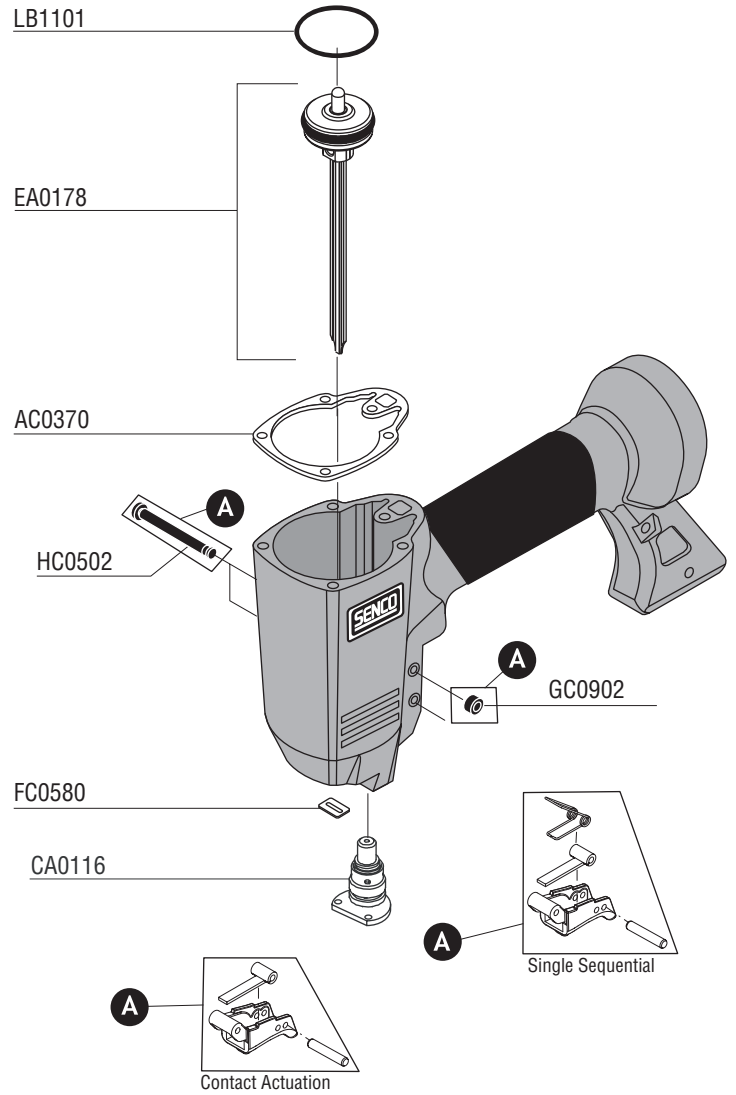
*Senco Products Inc.
8485 Broadwell Road
Cincinnati, Ohio 45244*

*Questions? Comments? call SENCO's toll-free Action-line:
1-800-543-4596 (North and South America Only)
or e-mail: toolprof@senco.com*

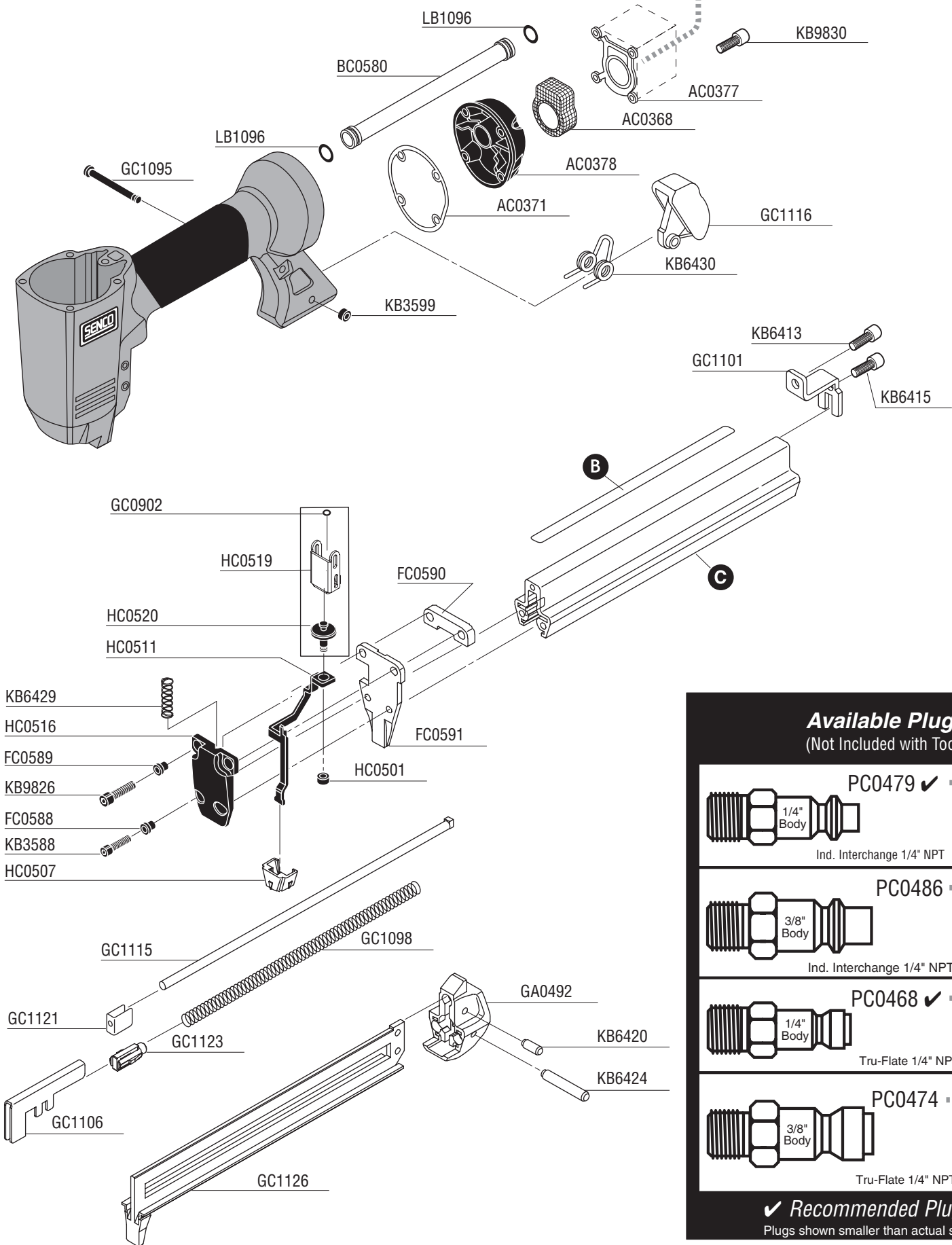
Visit Our Website: www.senco.com



Tool #	Model
1V0001N	Single-Sequential (US)
1V0002N	Contact Actuation (US)
1V1001N	Single-Sequential (Japan)
1V2001N	Single-Sequential (Euro)
1V2002N	Contact Actuation (Euro)
1V3001N	Single-Sequential (AU)
1V3002N	Contact Actuation (AU)

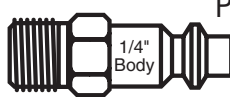
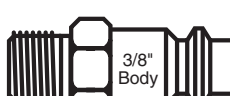
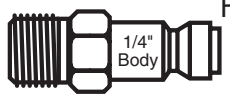
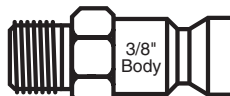


Tool #	Model	A	B	C
1V0001N	Single-Sequential (US)	HA0192	HG0180	GA0496
1V0002N	Contact Actuation (US)	HA0193	HG0180	GA0496
1V1001N	Single-Sequential (Japan)	HA0192	HG0193	GA0504
1V2001N	Single-Sequential (Euro)	HA0192	HG0194	GA0500
1V2002N	Contact Actuation (Euro)	HA0193	HG0194	GA0500
1V3001N	Single-Sequential (AU)	HA0192	HG0180	GA0496
1V3002N	Contact Actuation (AU)	HA0193	HG0180	GA0496



MFG01V Revised July 26, 2007 (Replaces 1/27/06) © 2000, 2007 by SENC0 Products, Inc. Cincinnati, Ohio 45244 - U.S.A.

Available Plugs (Not Included with Tool)

	PC0479 ✓
1/4" Body	
Ind. Interchange 1/4" NPT	
	PC0486
3/8" Body	
Ind. Interchange 1/4" NPT	
	PC0468 ✓
1/4" Body	
Tru-Flate 1/4" NPT	
	PC0474
3/8" Body	
Tru-Flate 1/4" NPT	

✓ **Recommended Plugs**
Plugs shown smaller than actual size

SLS15 18 ga. Finish Stapler

REPLACEMENT PARTS LIST • LISTA DE PARTES DE REPUESTO • ERSATZTEILE-LISTE • LISTE DE PIÈCES DE RECHANGE

PART NO.	DESCRIPTION	DESCRIPCIÓN	BESCHREIBUNG	DÉSIGNATION
AC0368	MUFFLER	SILENCIADOR	DÄMPFER	SILENCIEUX
AC0370	SEAL	SELLO	DICHTUNG	JOINT
AC0371	SEAL	SELLO	DICHTUNG	JOINT
AC0374	CYLINDER CAP	TAPA	KAPPE	BOUCHON
AC0377	COVER	CUBIERTA	ABDECKUNG	COUVERCLE
AC0378	COVER	CUBIERTA	ABDECKUNG	COUVERCLE
BC0391	SEAL	SELLO	DICHTUNG	JOINT
BC0569	CYLINDER	CILINDRO	ZYLINDER	CYLINDRE
BC0573	RETAINER	JUNTA TÓRICA	SICHERUNGSRING	RETENUE
BC0576	BUMPER	AMORTIGUADOR	PUFFER	AMORTISSEUR
BC0579	EXHAUST VALVE SITE	ASAMBLE DE VÁLVULA	VENTIL-ZUSAMMENBAU	VALVE D'ASSEMBLÉE
BC0580	TUBE	TUBO	ROHR	TUBE
BC0584	PISTON ASSEMBLY	ASAMBLE DE PISTON	KOLBEN-ZUSAMMENBAU	ENSEMBLE PISTON-COUTEAU
CA0116	TRIGGER VALVE HEAD SET	ASAMBLE DE VÁLVULA	VENTIL-ZUSAMMENBAU	VALVE D'ASSEMBLÉE
EA0178	PISTON ASSEMBLY	ASAMBLE DE PISTON	KOLBEN-ZUSAMMENBAU	ENSEMBLE PISTON-COUTEAU
FC0580	WASHER	ARANDELA	SCHEIBE	RONDELLE
FC0588	INSERT	ACOPLAMIENTO	EINSATZ	INSERT
FC0589	INSERT	ACOPLAMIENTO	EINSATZ	INSERT
FC0590	INSERT	ACOPLAMIENTO	EINSATZ	INSERT
FC0591	GUIDE	GUÍA	FÜHRUNG	GUIDE
GA0492	COVER	CUBIERTA	ABDECKUNG	COUVERCLE
GA0496	MAGAZINE ASSEMBLY (US)	ASAMBLE DE CARGADOR	MAGAZIN-ZUSAMMENBAU	ENSEMBLE MAGASIN
GA0500	MAGAZINE ASSEMBLY (EU)	ASAMBLE DE CARGADOR	MAGAZIN-ZUSAMMENBAU	ENSEMBLE MAGASIN
GA0504	MAGAZINE ASSEMBLY (JAPAN)	ASAMBLE DE CARGADOR	MAGAZIN-ZUSAMMENBAU	ENSEMBLE MAGASIN
GC0902	RETAINER	JUNTA TÓRICA	SICHERUNGSRING	RETENUE
GC1095	PIN	PASADOR	STIFT	GOUPILLE
GC1098	SPRING	RESORTE	FEDER	RESSORT
GC1101	MAGAZINE SUPPORT	SOPORTE	HALTERUNG	CAVALIER
GC1106	FEEDER SHOE	ALIMENTADOR	NAGELSCHIEBER	POUSSOIR
GC1115	GUIDE	GUÍA	FÜHRUNG	GUIDE
GC1116	LATCH	UÑETA	VERSCHLUSS	DOIGT DE RETENUE
GC1121	STOP	TOPE	PUFFER	ARRÊT
GC1123	RETAINER	JUNTA TÓRICA	SICHERUNGSRING	RETENUE
GC1126	RAIL	CARRIL	SCHIENE	RAIL
HA0192	TRIGGER ASSY (Single Sequential)	ASAMBLE DE GATILLO	AUSLÖSER	ENSEMBLE GÂCHETTE
HA0193	TRIGGER ASSY (Contact)	ASAMBLE DE GATILLO	AUSLÖSER	ENSEMBLE GÂCHETTE
HC0501	SHAFT RING	ANILLO	REIFEN	ANNEAU
HC0502	PIN	PASADOR	STIFT	GOUPILLE
HC0507	NO-MAR PAD	AMORTIGUADOR	SCHUTZ	COUSSIN
HC0511	SAFETY (YOKE) ELEMENT	ASAMBLE DE SEGURO	SICHERHEITSVORRICHTUNG	PALPEUR DE SÉCURITÉ
HC0516	COVER	CUBIERTA	ABDECKUNG	COUVERCLE
HC0519	PLATE	PLACA	PLATTE	PLAQUE
HC0520	SAFETY ADJUSTMENT WHEEL	MANIVELA	RÄNDELSCHRAUBE	MOLETTE
HG0180	LABEL (US)	ETIQUETA	AUFKLEBER	ÉTIQUETTE
HG0193	LABEL (JAPAN)	ETIQUETA	AUFKLEBER	ÉTIQUETTE
HG0194	LABEL (EU)	ETIQUETA	AUFKLEBER	ÉTIQUETTE
KB3588	SCREW	TORNILLO	SCHRAUBE	VIS
KB3599	RETAINER	JUNTA TÓRICA	SICHERUNGSRING	RETENUE
KB6412	SCREW	TORNILLO	SCHRAUBE	VIS
KB6413	SCREW	TORNILLO	SCHRAUBE	VIS
KB6415	SCREW	TORNILLO	SCHRAUBE	VIS
KB6420	PIN	PASADOR	STIFT	GOUPILLE
KB6424	PIN	PASADOR	STIFT	GOUPILLE
KB6428	SPRING	RESORTE	FEDER	RESSORT
KB6429	SPRING	RESORTE	FEDER	RESSORT
KB6430	SPRING	RESORTE	FEDER	RESSORT
KB9826	SCREW	TORNILLO	SCHRAUBE	VIS
KB9830	SCREW	TORNILLO	SCHRAUBE	VIS
KB9839	WASHER	ARANDELA	SCHEIBE	RONDELLE
LB0964	SEAL	SELLO	DICHTUNG	JOINT
LB1095	SEAL	SELLO	DICHTUNG	JOINT
LB1096	SEAL	SELLO	DICHTUNG	JOINT
LB1097	SEAL	SELLO	DICHTUNG	JOINT
LB1099	SEAL	SELLO	DICHTUNG	JOINT
LB1101	SEAL	SELLO	DICHTUNG	JOINT