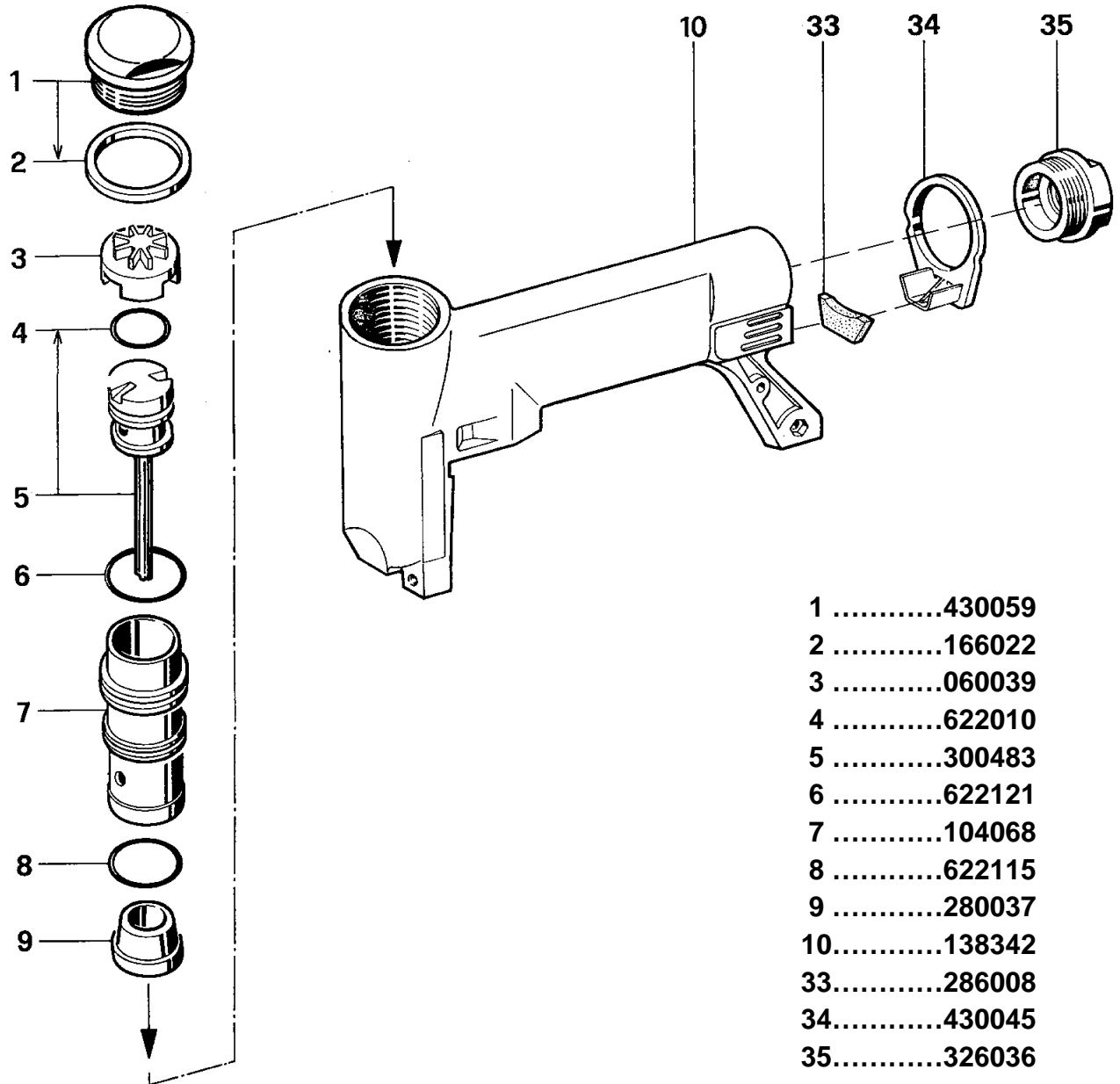
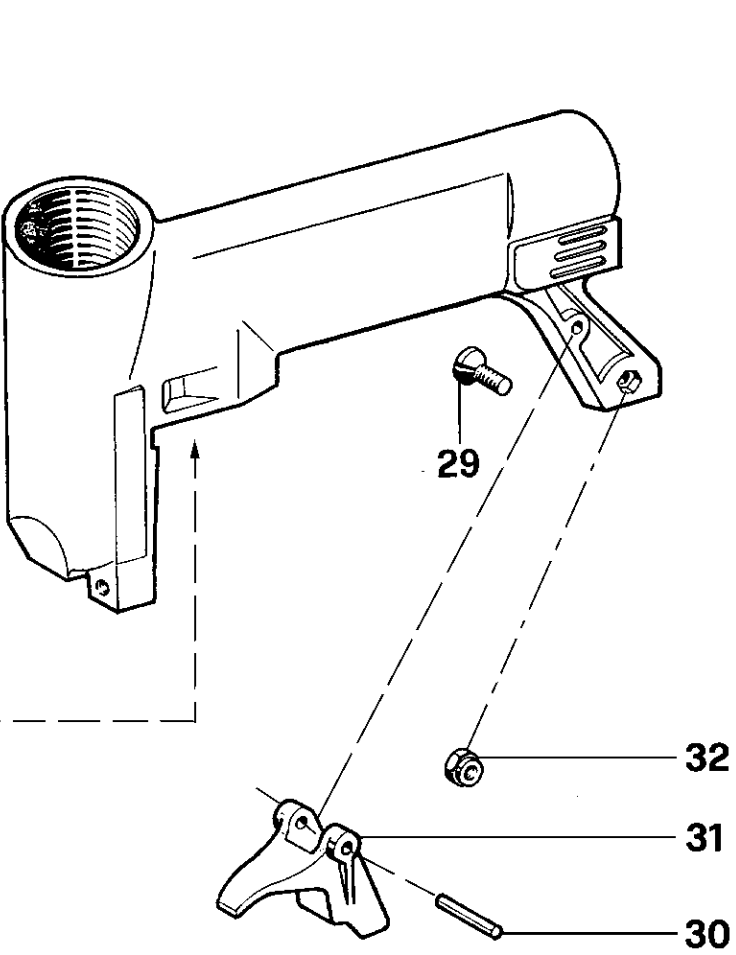
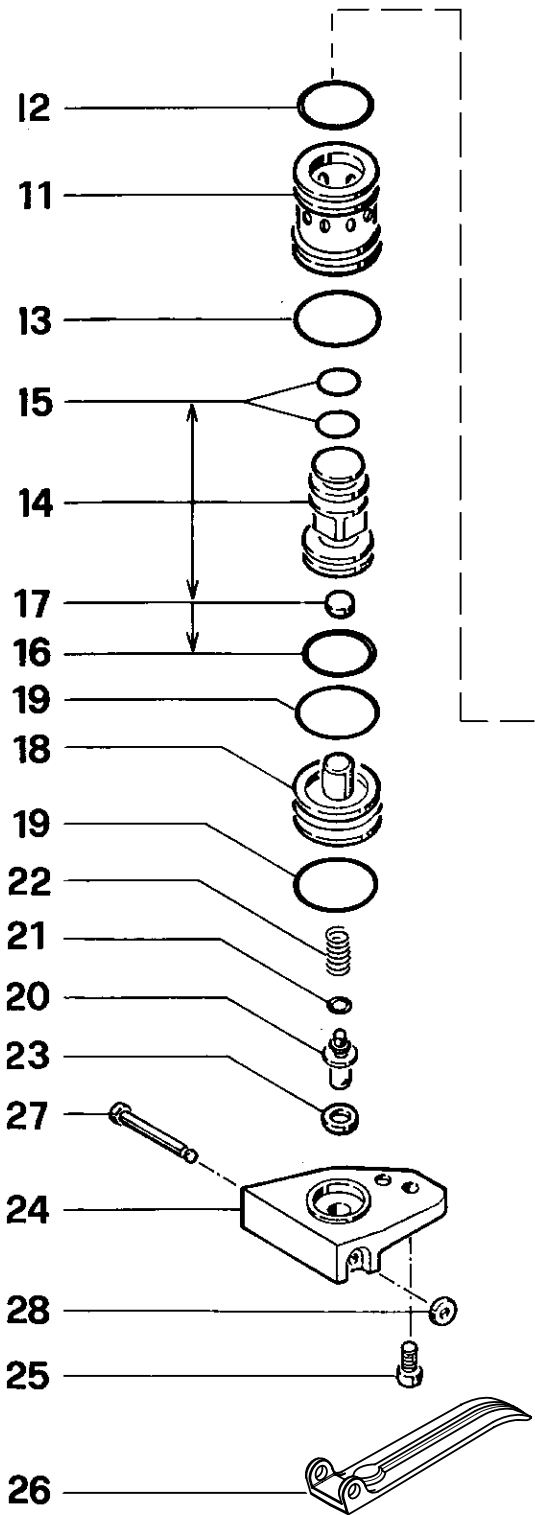


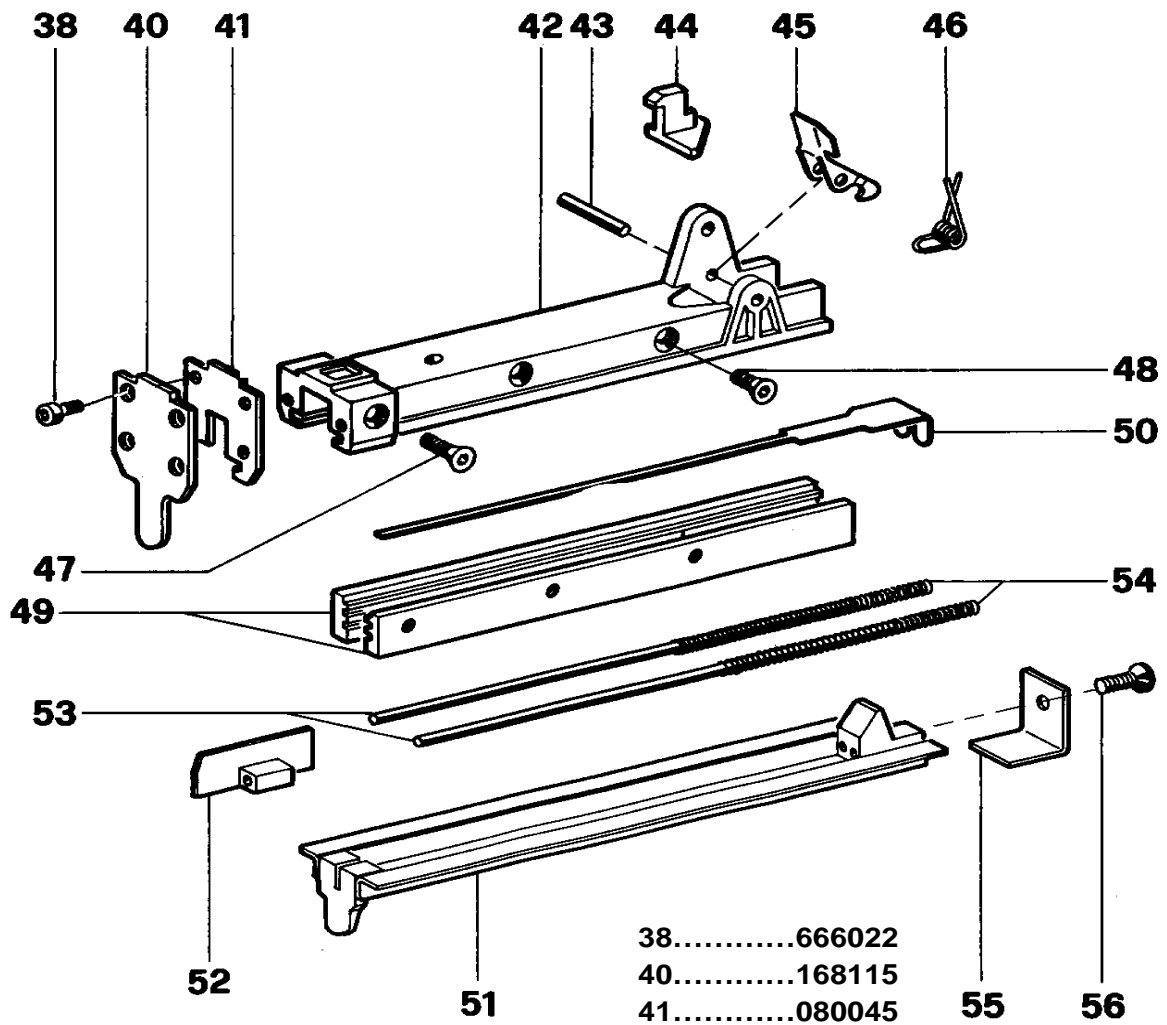
| |
|---------------|
| MODEL |
| 550001 |



| | | |
|----|-------|--------|
| 1 | | 430059 |
| 2 | | 166022 |
| 3 | | 060039 |
| 4 | | 622010 |
| 5 | | 300483 |
| 6 | | 622121 |
| 7 | | 104068 |
| 8 | | 622115 |
| 9 | | 280037 |
| 10 | | 138342 |
| 33 | | 286008 |
| 34 | | 430045 |
| 35 | | 326036 |



| | | |
|---------|--------|---------------|
| 11..... | 092094 | |
| 12..... | 622074 | |
| 13..... | 622122 | |
| 14..... | 300314 | |
| 15..... | 622005 | 24.....294125 |
| 16..... | 622035 | 25.....667022 |
| 17..... | 070002 | 26.....164080 |
| 18..... | 140081 | 27.....288172 |
| 19..... | 622122 | 28.....348012 |
| 20..... | 288173 | 29.....666032 |
| 21..... | 622025 | 30.....662019 |
| 22..... | 200057 | 31.....184062 |
| 23..... | 166026 | 32.....650005 |



| | |
|---------|--------|
| 38..... | 666022 |
| 40..... | 168115 |
| 41..... | 080045 |
| 42..... | 172355 |
| 43..... | 662019 |
| 44..... | 070047 |
| 45..... | 184063 |
| 46..... | 200145 |
| 47..... | 667023 |
| 48..... | 544031 |
| 49..... | 340075 |
| 50..... | 188008 |
| 51..... | 145058 |
| 52..... | 410082 |
| 53..... | 085002 |
| 54..... | 200036 |
| 55..... | 414002 |
| 56..... | 667021 |

SHP10 Pinner

REPLACEMENT PARTS LIST • LISTA DE PARTES DE REPUESTO • ERSATZTEILE-LISTE • LISTE DE PIÉCES DE RECHANGE

| REF | PART # | DESCRIPTION | DESCRIPCIÓN | BESCHREIBUNG | DÉSIGNATION |
|-----|--------|-------------|-------------------|--------------------|--------------------|
| 1 | 430059 | CAP | TAPA | KAPPE | BOUCHON |
| 2 | 166022 | SEAL | SELLO | DICHTUNG | JOINT |
| 3 | 060039 | SPACER | SEPARADOR | DISTANZSTÜCK | ENTRETOISE |
| 4 | 622010 | SEAL | SELLO | DICHTUNG | JOINT |
| 5 | 300483 | PISTON ASSY | ASAMBLE DE PISTON | KOLBEN-ZUSAMMENBAU | PISTON D'ASSEMBLÉE |
| 6 | 622121 | SEAL | SELLO | DICHTUNG | JOINT |
| 7 | 104068 | CYLINDER | CILINDRO | ZYLINDER | CYLINDRE |
| 8 | 622115 | SEAL | SELLO | DICHTUNG | JOINT |
| 9 | 280037 | STOP | TOPE | PUFFER | ARRÊT |
| 10 | 138342 | BODY | CUERPO | GEHÄUSE | CORPS |
| 11 | 092094 | HOUSING | ALOJAMIENTO | GEHÄUSE | CORPS |
| 12 | 622074 | SEAL | SELLO | DICHTUNG | JOINT |
| 13 | 622122 | SEAL | SELLO | DICHTUNG | JOINT |
| 14 | 300314 | PISTON | PISTON | KOLBEN | PISTON |
| 15 | 622005 | SEAL | SELLO | DICHTUNG | JOINT |
| 16 | 622035 | SEAL | SELLO | DICHTUNG | JOINT |
| 17 | 070002 | CUSHION | AMORTIGUADOR | SCHUTZ | COUSSIN |
| 18 | 140081 | VALVE | VÁLVULA | VENTIL | VALVE |
| 19 | 622122 | SEAL | SELLO | DICHTUNG | JOINT |
| 20 | 288173 | PISTON | PISTON | KOLBEN | PISTON |
| 21 | 622025 | SEAL | SELLO | DICHTUNG | JOINT |
| 22 | 200057 | SPRING | MUELLE | FEDER | RESSORT |
| 23 | 166026 | SEAL | SELLO | DICHTUNG | JOINT |
| 24 | 294125 | PLATE | PLACA | PLATTE | PLAQUE |
| 25 | 667022 | SCREW | TORNILLO | SCHRAUBE | VIS |
| 26 | 164080 | TRIGGER | GATILLO | AUSLÖSER | GACHETTE |
| 27 | 288172 | PIN | PASADOR | STIFT | GOUPILLE |
| 28 | 348012 | RETAINER | JUNTA TÓRICA | SICHERUNGSRING | RETENUE |
| 29 | 666032 | SCREW | TORNILLO | SCHRAUBE | VIS |
| 30 | 662019 | PIN | PASADOR | STIFT | GOUPILLE |
| 31 | 184062 | LATCH | UÑETA | VERSCHLUSS | DOIGT DE RETENUE |
| 32 | 650005 | NUT | TUERCA | MUTTER | ÉCROU |
| 33 | 286008 | MUFFLER | SILENCIADOR | DÄMPFER | SILENCIEUX |
| 34 | 430045 | BRACKET | BRAZO | HALTERUNG | CAVALIER |
| 35 | 326036 | ADAPTATOR | ADAPTADOR | ADAPTER | ADAPTATEUR |
| 38 | 666022 | SCREW | TORNILLO | SCHRAUBE | VIS |
| 40 | 168115 | GUIDE BODY | PLACA DE NARIZ | KLAMMERFÜHRUNG | FRONT |
| 41 | 080045 | PLATE | PLACA | PLATTE | PLAQUE |
| 42 | 172355 | HOUSING | ALOJAMIENTO | GEHÄUSE | CORPS |
| 43 | 662019 | PIN | PASADOR | STIFT | GOUPILLE |
| 44 | 070047 | STOP | TOPE | PUFFER | ARRÊT |
| 45 | 184063 | LATCH | UÑETA | VERSCHLUSS | DOIGT DE RETENUE |
| 46 | 200145 | SPRING | MUELLE | FEDER | RESSORT |
| 47 | 667023 | SCREW | TORNILLO | SCHRAUBE | VIS |
| 48 | 544031 | SCREW | TORNILLO | SCHRAUBE | VIS |
| 49 | 340075 | HOUSING | ALOJAMIENTO | GEHÄUSE | CORPS |
| 50 | 188008 | INSERT | ACOPLAMIENTO | EINSATZ | INSERT |
| 51 | 145058 | RAIL | CARRIL | SCHIENE | RAIL |
| 52 | 410082 | FEEDER SHOE | ALIMENTADOR | NAGELSCHIEBER | POUSSOIR |
| 53 | 085002 | GUIDE | GUÍA | FÜHRUNG | GUIDE |
| 54 | 200036 | SPRING | MUELLE | FEDER | RESSORT |
| 55 | 414002 | BRACKET | BRAZO | HALTERUNG | CAVALIER |
| 56 | 667006 | SCREW | TORNILLO | SCHRAUBE | VIS |