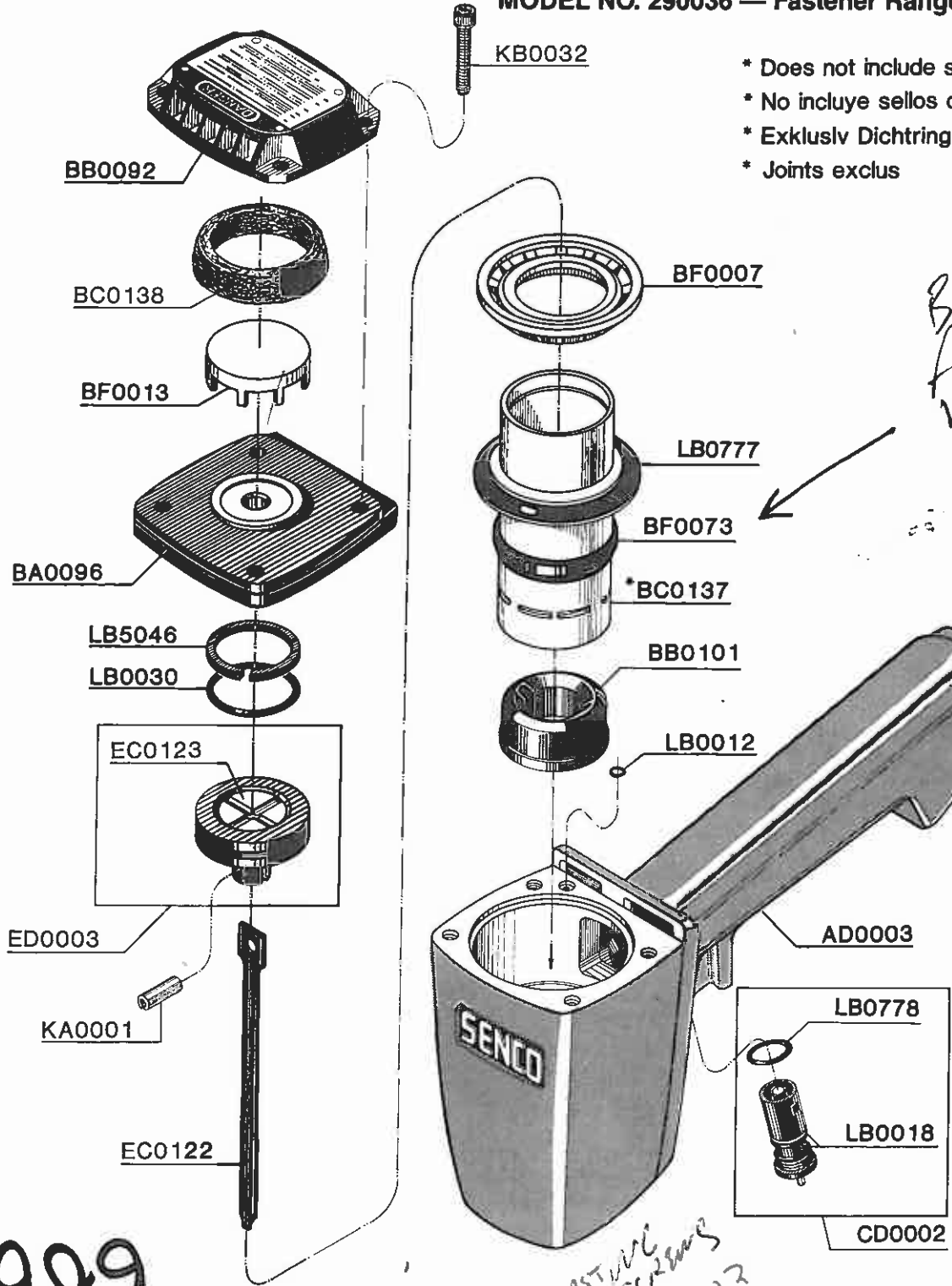


REPLACEMENT PARTS CHART  
**SFN1 NAILER**

MODEL NO. 290004 — Fastener Range: DA11-DA19

MODEL NO. 290036 — Fastener Range: DA11-DA21

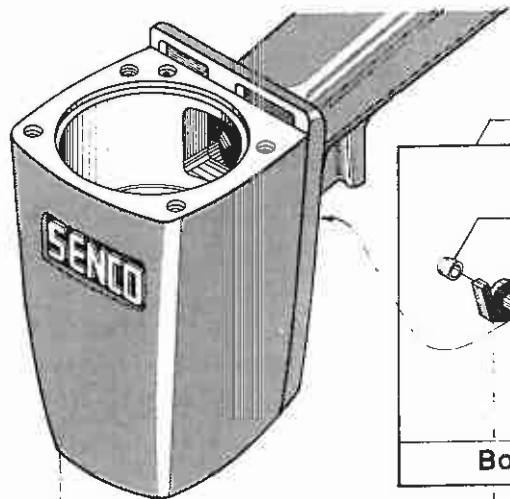


- \* Does not include seals
- \* No incluye sellos de gomas
- \* Exklusiv Dichtringe
- \* Joints exclus

*BF0073  
FLAT  
WASHER  
W/  
THIN  
LIP  
(PRE 1994)*

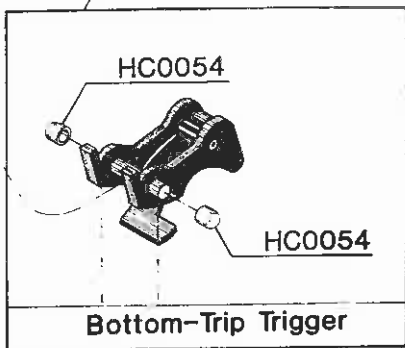
*CASTING  
SCREENS  
KB 3122*

*1989*

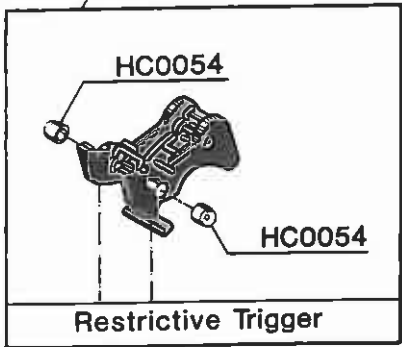


HD0015

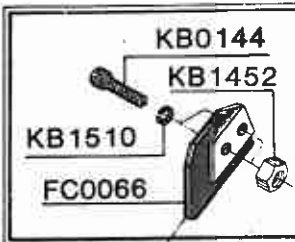
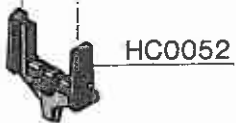
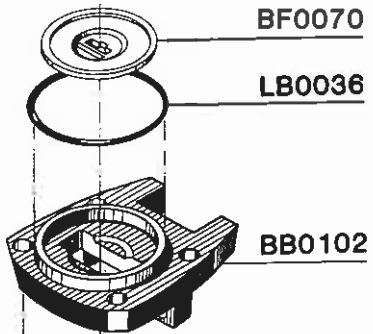
HD0016



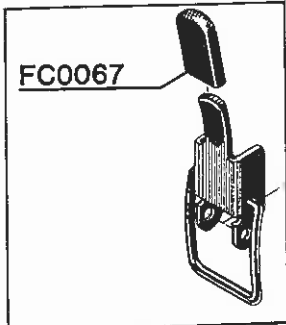
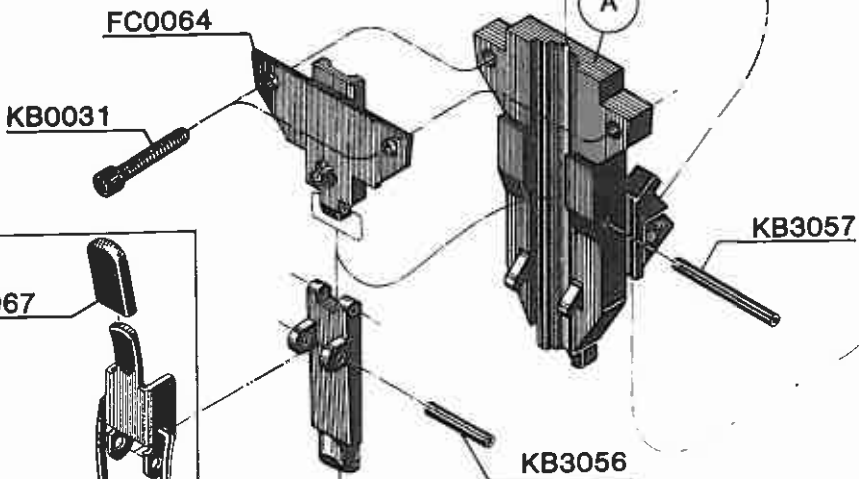
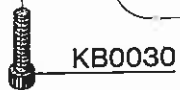
Bottom-Trip Trigger



Restrictive Trigger



MAGAZINE BLOCK-OUTS MAY BE REQUIRED WHEN DRIVING SHORTER FASTENERS. FOR INFORMATION, CONTACT YOUR Senco REPRESENTATIVE.

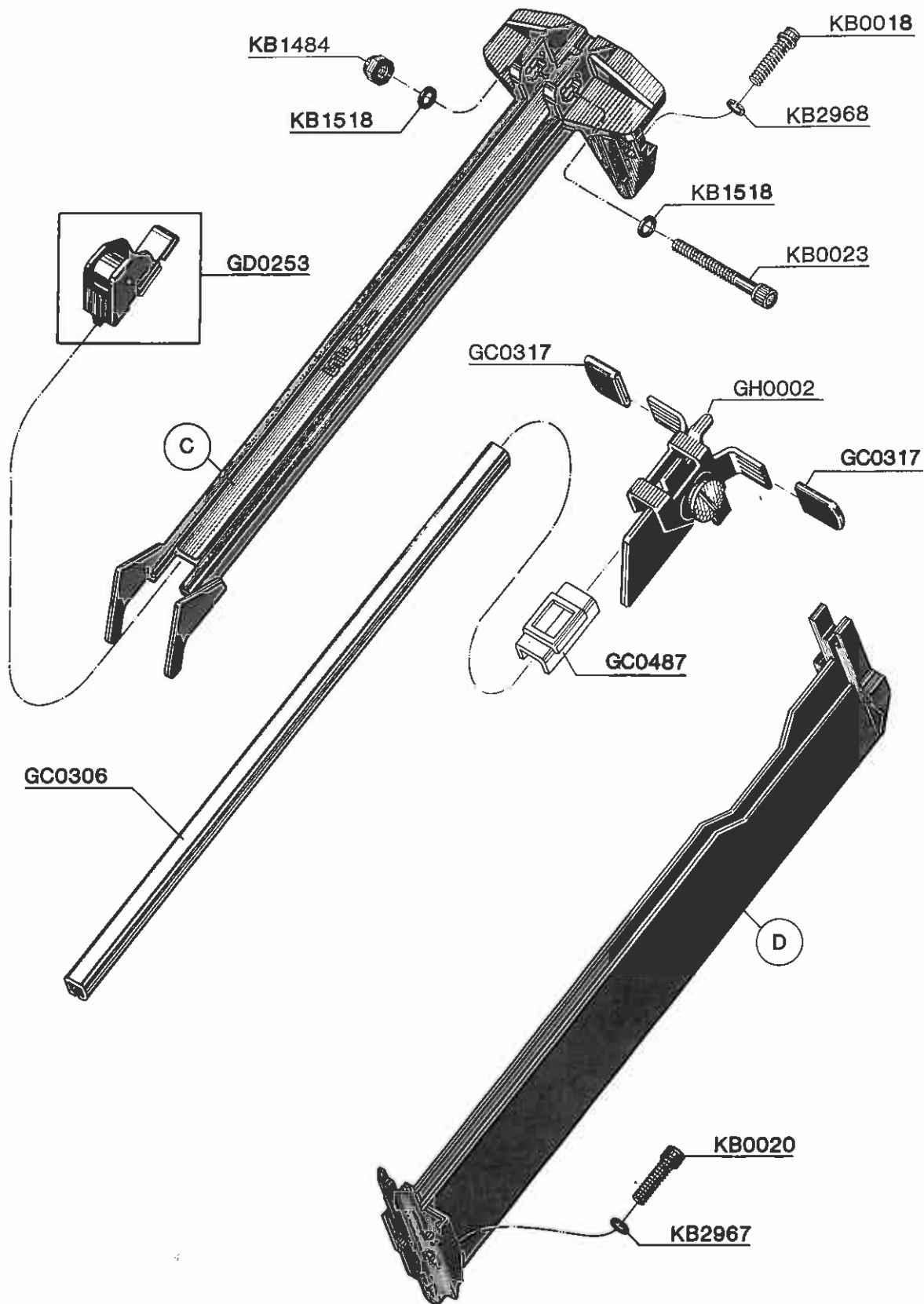


FA0151



E

F



MODEL	A	B	C	D	E	F
290004	FC0063	FC0065	GC0309	GB0197	HB0185	HF0002
290036	FC0079	FC0127	GC0319	GB0200	HC0099	HF0004