



# SCN63LDXP

## Coil Nailer

### Parts Reference Guide Guía de referencia de piezas Pièces Guide de référence

Schematic Drawings Inside  
Plano esquemático en el interior  
Schéma intérieur



**Repair Kit**  
YK0366

# SENCO®

Senco Brands, Inc.  
4270 Ivy Pointe Blvd.  
Cincinnati, OH 45245  
1-800-543-4596  
[www.senco.com](http://www.senco.com)

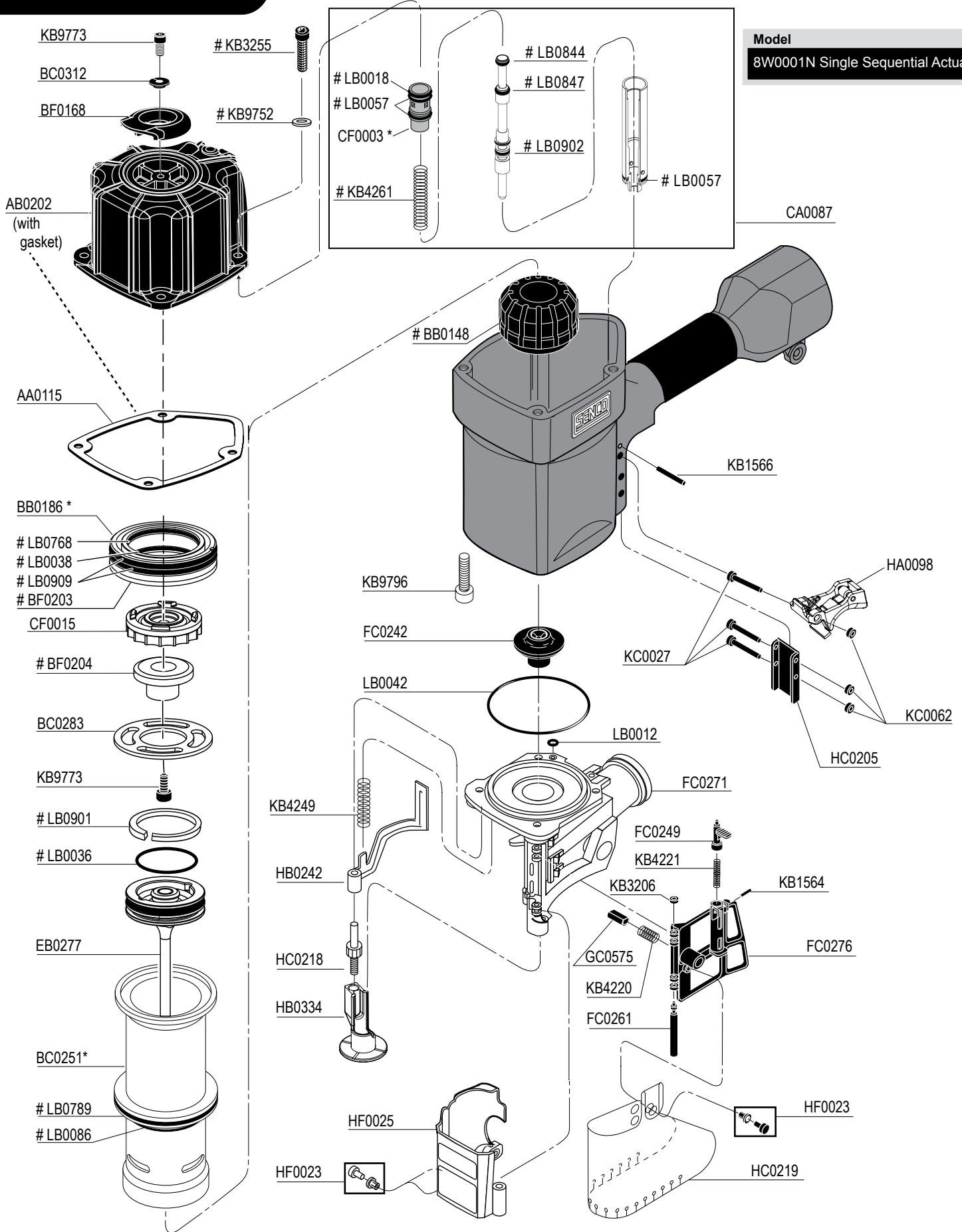
**NFG08W • Issued June 27, 2014**

Questions? Comments? call SENCO's toll-free Action-Line: 1-800-543-4596  
(North and South America Only) or email: [toolprof@senco.com](mailto:toolprof@senco.com)

¿Tiene preguntas? ¿Comentarios? Llame a la línea gratuita de acción de Senco: 1-800-543-4596  
(sólo para América del Norte y del Sur) o envíe un correo electrónico: [toolprof@senco.com](mailto:toolprof@senco.com)

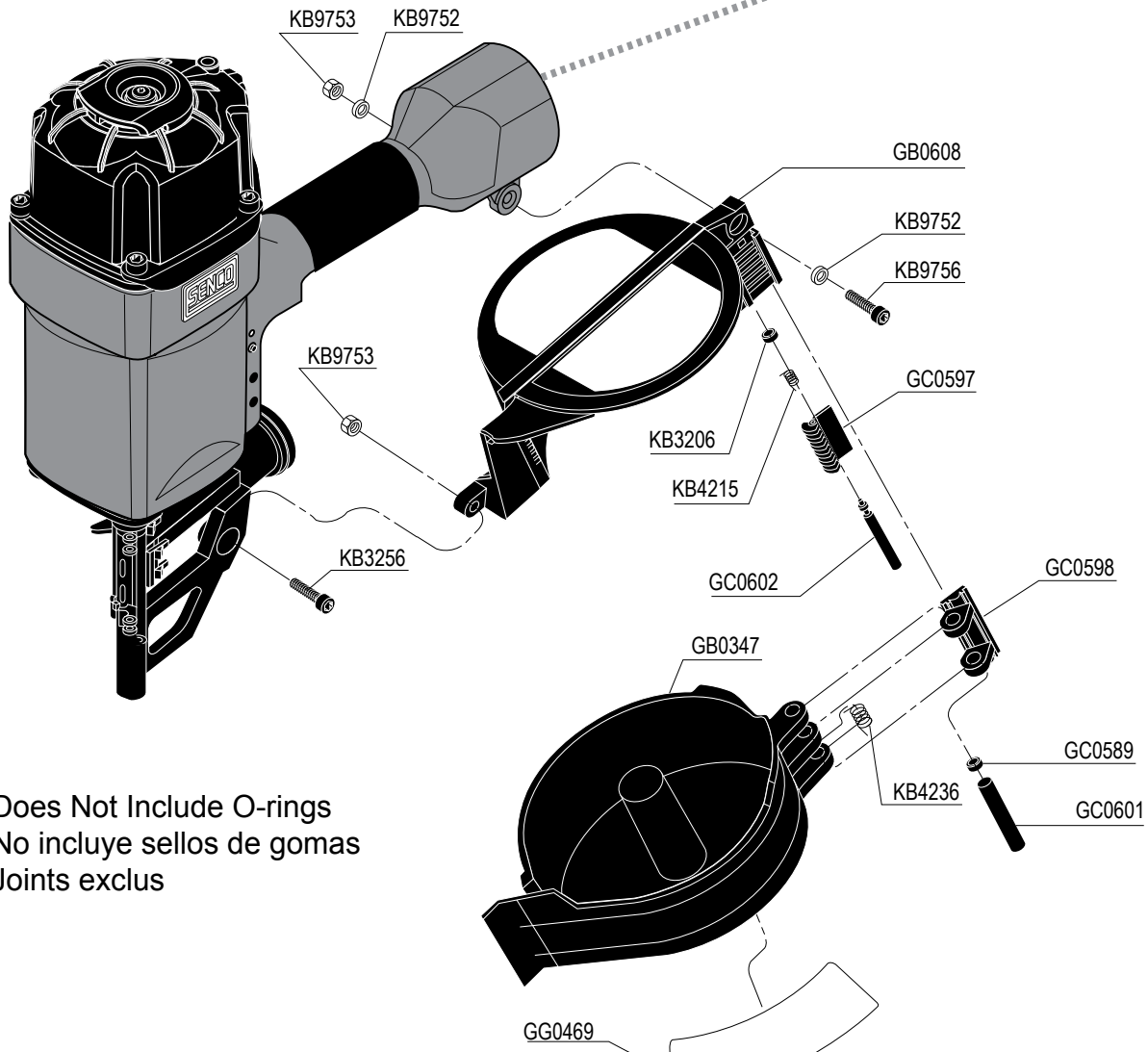
Des questions? Des commentaires? Communiquez avec le service d'assistance sans frais de Senco : 1-800-543-4596  
(Amérique du Nord et Amérique du Sud seulement) ou envoyer un courriel: [toolprof@senco.com](mailto:toolprof@senco.com)

Model  
8W0001N Single Sequential Actuation

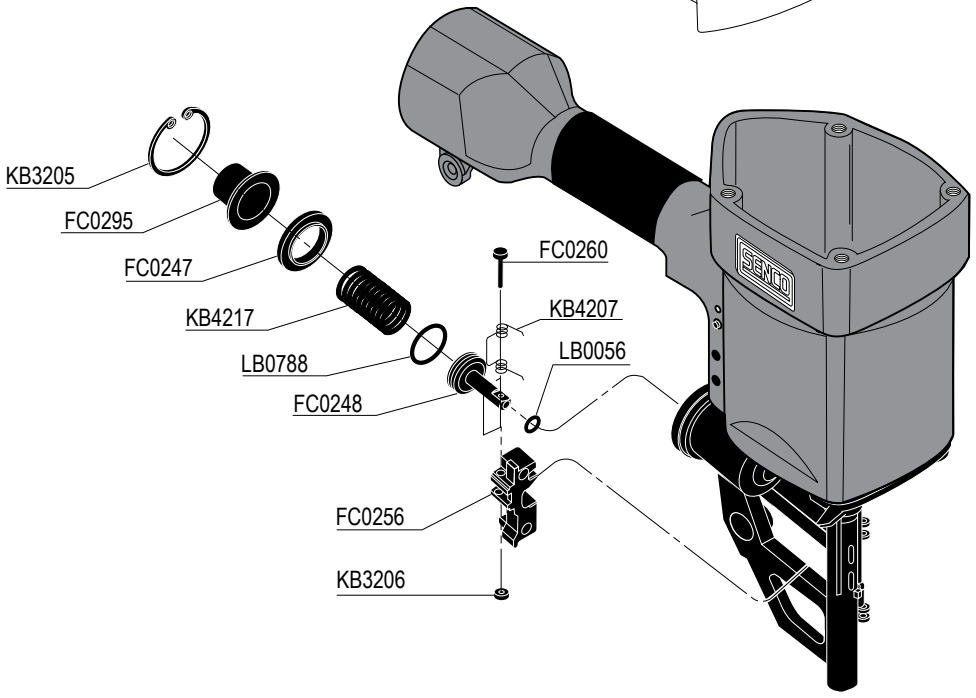


# Coil Nailer

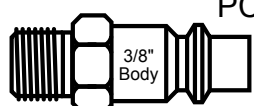
# SCN63LDXP



- \* Does Not Include O-rings
- \* No incluye sellos de gomas
- \* Joints exclus



**Available Plugs**  
(Not Included with Tool)

	PC0480
	Ind. Interchange 3/8" NPT
	PC0485 ✓
	Ind. Interchange 3/8" NPT

✓ **Recommended Plug**  
Plugs shown smaller than actual size

## REPLACEMENT PARTS LIST • LISTA DE PARTES DE REPUESTO • LISTE DE PIÈCES DE RECHANGE

PART NO.	DESCRIPTION	DESCRIPCIÓN	DÉSIGNATION
AA0115	SEAL	SELLO	JOINT
AB0202	CAP	TAPA	BOUCHON
BB0148	STOP	TOPE	ARRÊT
BB0186	FIRING VALVE PISTON	PISTON	PISTON
BC0251	CYLINDER	CILINDRO	CYLINDRE
BC0283	RETAINER	JUNTA TÓRICA	RETENUE
BC0312	BUSHING	CASQUILLO	DOUILLE
BF0168	DEFLECTOR	DESVIADOR	DÉFLECTEUR
BF0203	WASHER	RONDANA	RONDELLE
BF0204	RETAINER	JUNTA TÓRICA	RETENUE
CA0087	CORE ASSEMBLY	ASAMBLE DE VÁSTAGO	ENSEMBLE NOYAU
CF0003	HOUSING	ALOJAMIENTO	CORPS
CF0015	VALVE	VÁLVULA	VALVE
EB0277	PISTON ASSEMBLY	ASAMBLE DE PISTON	ENSEMBLE PISTON-COUTEAU
FC0242	GUIDE	GUÍA	GUIDE
FC0247	STOP	TOPE	ARRÊT
FC0248	PISTON	PISTON	PISTON
FC0249	LATCH	UNETA	DOIGT DE RETENUE
FC0256	FEED PAWL	ALIMENTADOR	POUSSOIR
FC0260	PIN	PASADOR	GOUPILLE
FC0261	PIN	PASADOR	GOUPILLE
FC0271	GUIDEBODY	PLACA DE NARIZ	FRONT
FC0276	DOOR	PUERTA	PORTE
FC0295	CAP	TAPA	BOUCHON
GB0347	MAGAZINE	CARGADOR	MAGASIN
GB0608	MAGAZINE	CARGADOR	MAGASIN
GC0575	RETAINER	JUNTA TÓRICA	RETENUE
GC0589	RETAINER	JUNTA TÓRICA	RETENUE
GC0597	LOCK	CERRADURA	BLOCAGE
GC0598	HINGE	GOZNE	CHARNIÈRE
GC0601	PIN	PASADOR	GOUPILLE
GC0602	PIN	PASADOR	GOUPILLE
GG0469	LABEL	ETIQUETA	ÉTIQUETTE
HA0098	TRIGGER	GATILLO	GACHETTE
HB0242	SAFETY ELEMENT	SEGURO	PALPEUR DE SÉCURITÉ
HB0334	SAFETY ELEMENT	SEGURO	PALPEUR DE SÉCURITÉ
HC0205	GUIDE	GUÍA	GUIDE
HC0218	WHEEL	MANIVELA	MOLETTE
HC0219	DUST COVER	CUBIERTA	COUVERCLE
HF0023	HOOK	SOPORTE	SUPPORT
HF0025	COVER	CUBIERTA	PORTE
KB1564	PIN	PASADOR	GOUPILLE
KB1566	PIN	PASADOR	GOUPILLE
KB3205	RING	ANILLO	ANNEAU
KB3206	RETAINER	JUNTA TÓRICA	RETENUE
KB3255	SCREW	TORNILLO	VIS
KB3256	SCREW	TORNILLO	VIS
KB4207	SPRING	RESORTE	RESSORT
KB4215	SPRING	RESORTE	RESSORT
KB4217	SPRING	RESORTE	RESSORT
KB4220	SPRING	RESORTE	RESSORT
KB4221	SPRING	RESORTE	RESSORT
KB4236	SPRING	RESORTE	RESSORT
KB4249	SPRING	RESORTE	RESSORT
KB4261	SPRING	RESORTE	RESSORT
KB9752	WASHER	RONDANA	RONDELLE
KB9753	NUT	TUERCA	ÉCROU
KB9756	SCREW	TORNILLO	VIS
KB9773	SCREW	TORNILLO	VIS
KB9796	SCREW	TORNILLO	VIS
KC0027	PIN	PASADOR	GOUPILLE
KC0062	RETAINER	JUNTA TÓRICA	RETENUE
LB0012	SEAL	SELLO	JOINT
LB0018	SEAL	SELLO	JOINT
LB0036	SEAL	SELLO	JOINT
LB0038	SEAL	SELLO	JOINT
LB0042	SEAL	SELLO	JOINT
LB0056	SEAL	SELLO	JOINT
LB0057	SEAL	SELLO	JOINT
LB0086	SEAL	SELLO	JOINT
LB0768	SEAL	SELLO	JOINT
LB0788	SEAL	SELLO	JOINT
LB0789	SEAL	SELLO	JOINT
LB0844	SEAL	SELLO	JOINT
LB0847	SEAL	SELLO	JOINT
LB0901	SEAL	SELLO	JOINT
LB0902	SEAL	SELLO	JOINT
LB0909	SEAL	SELLO	JOINT