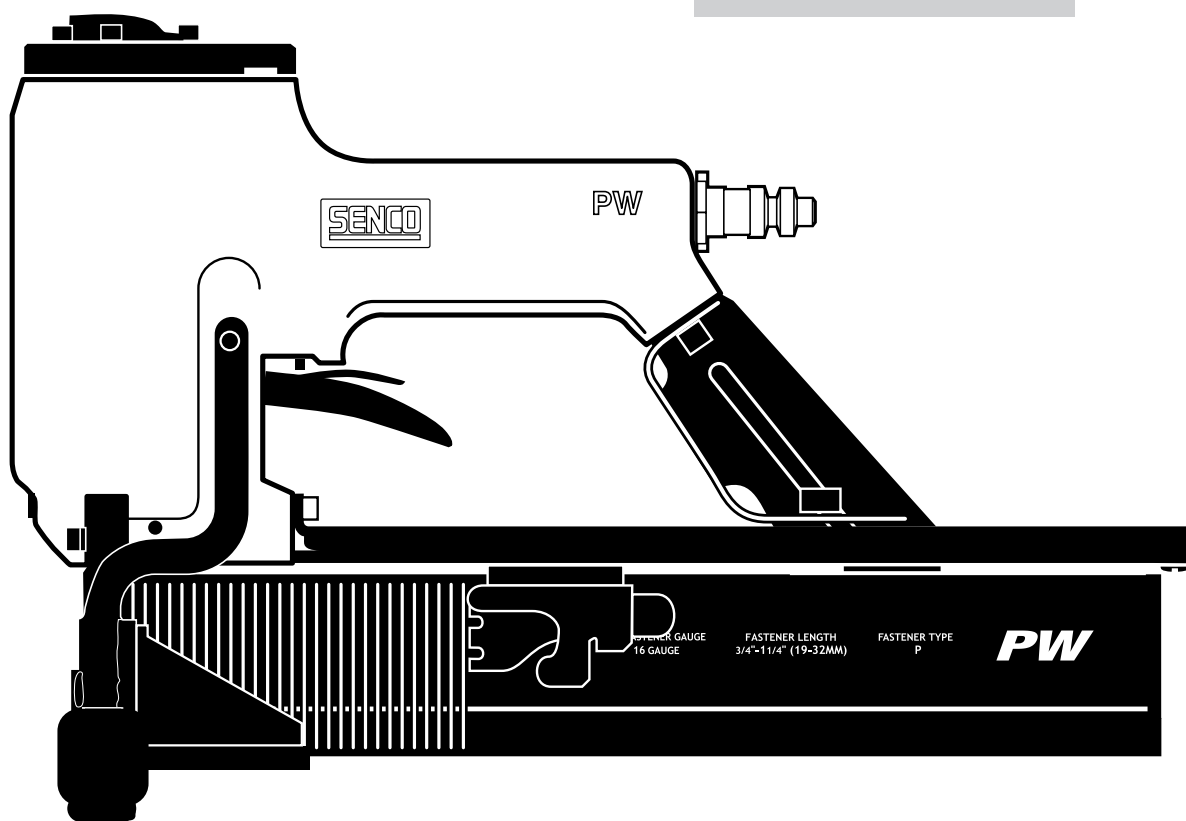


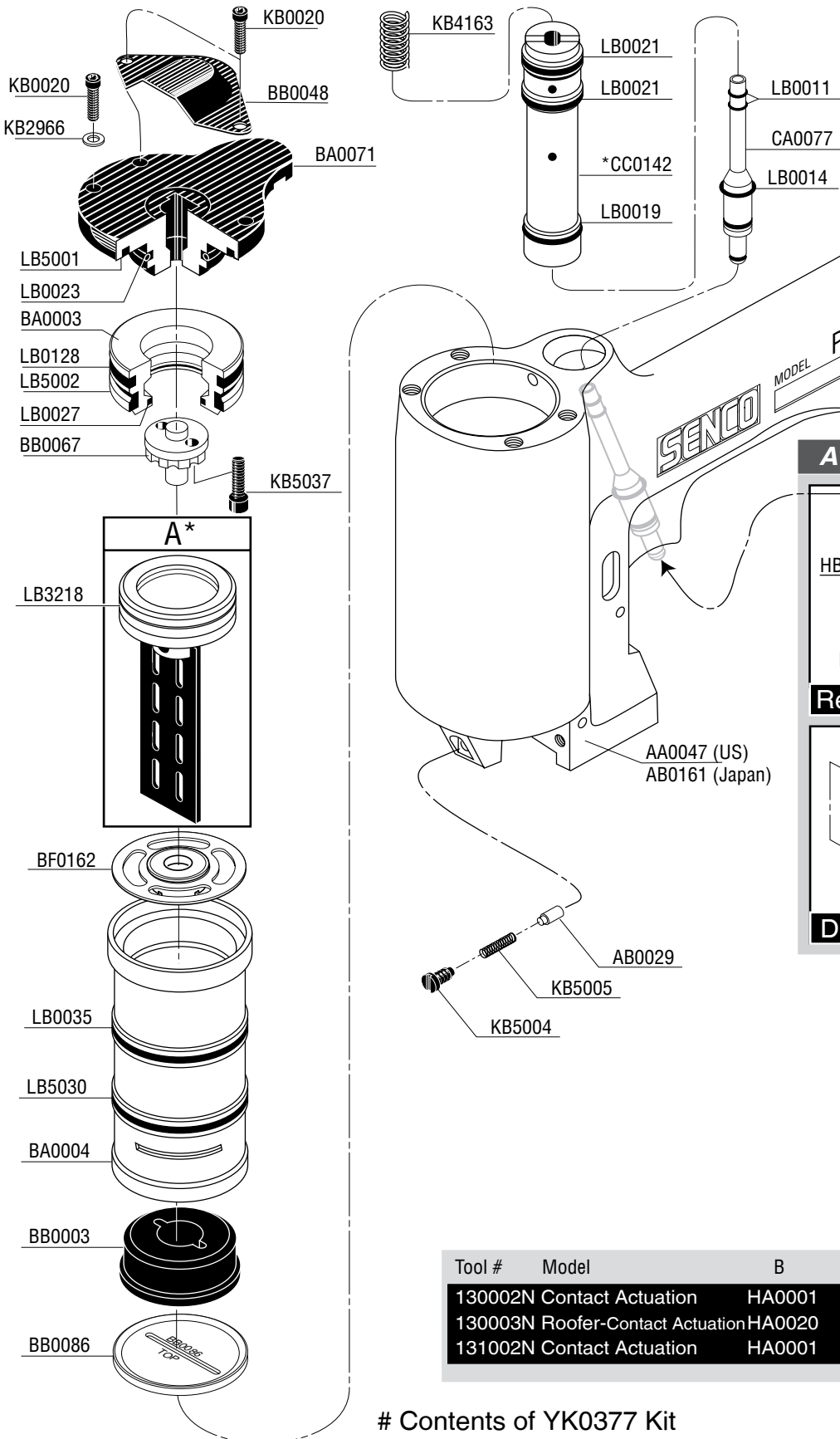
PW

Parts Reference Guide

**Repair Kit****YK0377***** Schematic drawings inside**

Senco Brands Inc.
 4270 Ivy Pointe Blvd.
 Cincinnati, Ohio 45245
 Visit Our Website: www.senco.com
 EMEA Website: www.verpa-senco.com

Questions? Comments? call SENCO's toll-free Action-line:
 1-800-543-4596 (North and South America Only)
 or e-mail: toolprof@senco.com



Tool # / Model	A	CSK
130002N		
Contact Actuation	EA0099	1/16"
130003N		
Roof-	EA0100	1/8"
Contact Actuation	EA0104	REG
130002N		
Contact Actuation	EA0099	1/16"

- * Does Not Include O-rings
- * No incluye sellos de gomas
- * Ohne Dichtringe
- * Joints exclus

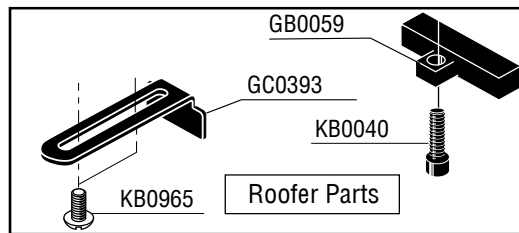
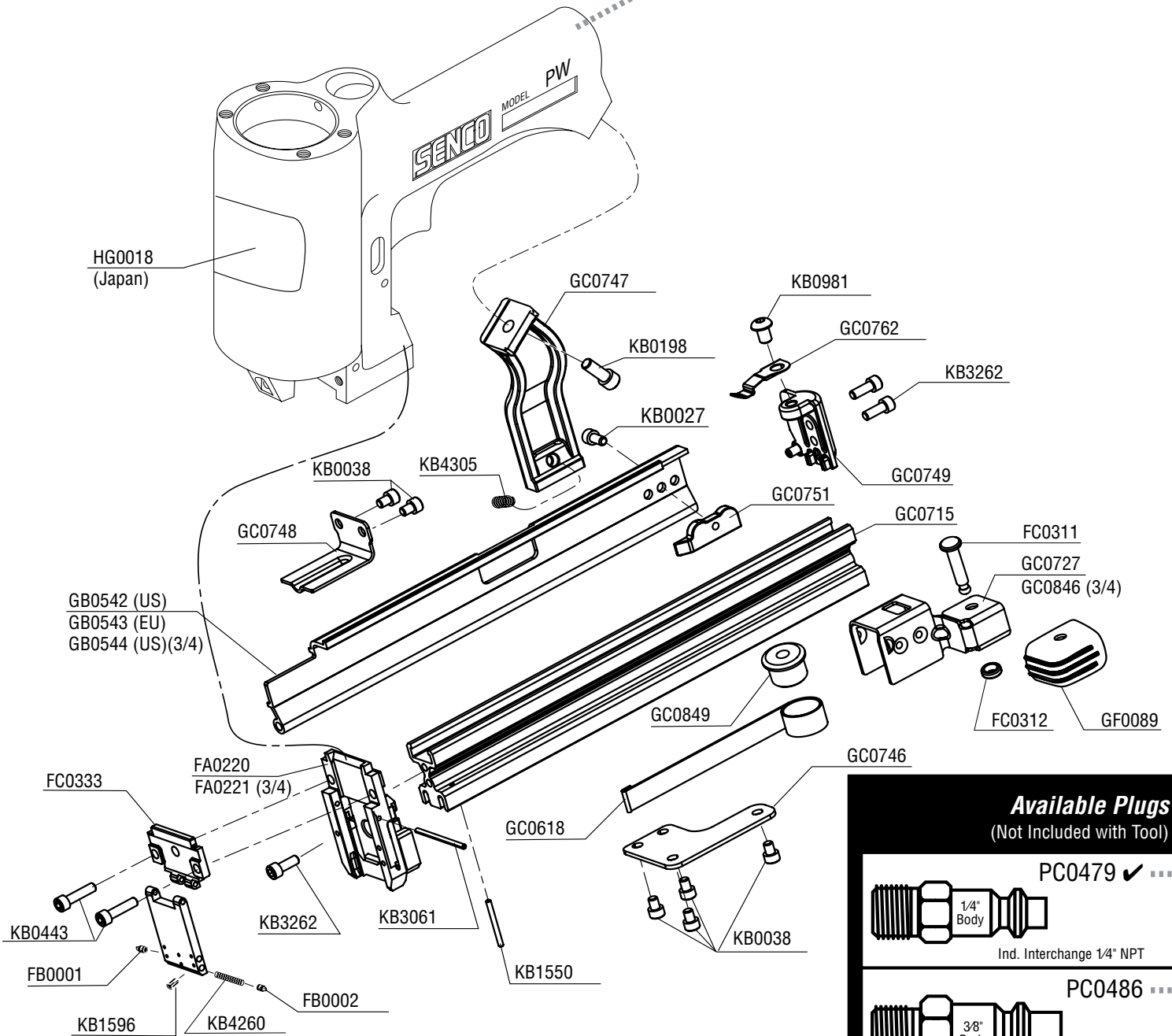
Available Triggers

Restrictive

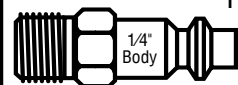
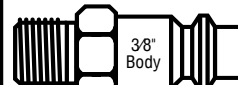
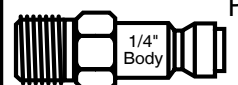
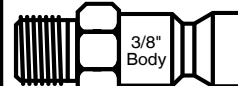
Dual-Action

Tool #	Model	B
130002N	Contact Actuation	HA0001
130003N	Roof-Contact Actuation	HA0020
131002N	Contact Actuation	HA0001

Contents of YK0377 Kit



Available Plugs (Not Included with Tool)

	PC0479 ✓
Ind. Interchange 1/4" NPT	
	PC0486
Ind. Interchange 1/4" NPT	
	PC0468 ✓
Tru-Flate 1/4" NPT	
	PC0474
Tru-Flate 1/4" NPT	

✓ **Recommended Plugs**
Plugs shown smaller than actual size

PART NO.	DESCRIPTION	DESCRIPCIÓN	BESCHREIBUNG	DÉSIGNATION
AA0047	MAIN BODY	CARCASA	GEHÄUSE	CORPS
AB0029	DETENT	FRENO	BREMSE	FREIN
AB0161	MAIN BODY (Japan)	CARCASA	GEHÄUSE	CORPS
BA0003	VALVE ASSEMBLY	ASAMBLE DE VÁLVULA	VENTIL-ZUSAMMENBAU	VALVE D'ASSEMBLEE
BA0004	CYLINDER ASSEMBLY	ASAMBLE DE CILINDRO	ZYLINDER-ZUSAMMENBAU	CYLINDRE D'ASSEMBLÉE
BA0071	CAP	TAPA	KAPPE	BOUCHON
BB0003	STOP	TOPE	PUFFER	ARRÊT
BB0048	DEFLECTOR	DESVIADOR	ABWEISER	DÉFLECTEUR
BB0067	VALVE	VÁLVULA	VENTIL	VALVE
BB0086	SEAL	SELLO	DICHTUNG	JOINT
BF0162	RETAINER	JUNTA TÓRICA	SICHERUNGSRING	RETENUE
CA0077	CORE ASSEMBLY	ASAMBLE DE VÁSTAGO	VENTILSTIFT-ZUSAMMENBAU	NOYAU D'ASSEMBLÉE
CC0142	HOUSING	ALOJAMIENTO	GEHÄUSE	CORPS
EA0099	PISTON ASSEMBLY	ASAMBLE DE PISTON	KOLBEN-ZUSAMMENBAU	ENSEMBLE PISTON-COUTEAU
EA0100	PISTON ASSEMBLY	ASAMBLE DE PISTON	KOLBEN-ZUSAMMENBAU	ENSEMBLE PISTON-COUTEAU
EA0104	PISTON ASSEMBLY	ASAMBLE DE PISTON	KOLBEN-ZUSAMMENBAU	ENSEMBLE PISTON-COUTEAU
FA0004	DOOR	PUERTA	ABDECKSCHIEBER	PORTE
FA0220	PLATE	PLACA	PLATTE	PLAQUE
FA0221	PLATE (3/4)	PLACA	PLATTE	PLAQUE
FB0001	PIN	PASADOR	STIFT	GOUPILLE
FB0002	PIN	PASADOR	STIFT	GOUPILLE
FC0311	PIN	PASADOR	STIFT	GOUPILLE
FC0312	RETAINER	JUNTA TÓRICA	SICHERUNGSRING	RETENUE
FC0333	PLATE	PLACA	PLATTE	PLAQUE
GB0059	PLATE	PLACA	PLATTE	PLAQUE
GB0542	DOOR ASSEMBLY (US)	ASAMBLE DE PUERTA	ABDECKSCHIEBER-ZUSAMMENBAU	ENSEMBLE PORTE
GB0543	DOOR ASSEMBLY (EU)	ASAMBLE DE PUERTA	ABDECKSCHIEBER-ZUSAMMENBAU	ENSEMBLE PORTE
GB0554	DOOR ASSEMBLY (US)(3/4)	ASAMBLE DE PUERTA	ABDECKSCHIEBER-ZUSAMMENBAU	ENSEMBLE PORTE
GC0393	GUIDE	PLACA	PLATTE	PLAQUE
GC0618	SPRING	RESORTE	FEDER	RESSORT
GC0715	RAIL	CARRIL	SCHIENE	RAIL
GC0727	FEEDER SHOE	ALIMENTADOR	NAGELSCHIEBER	POUSSOIR
GC0746	PLATE	PLACA	PLATTE	PLAQUE
GC0747	BRACKET	SOPORTE	HALTERUNG	CAVALIER
GC0748	RETAINER	JUNTA TÓRICA	SICHERUNGSRING	RETENUE
GC0749	CAP	TAPA	KAPPE	BOUCHON
GC0751	DOOR	PUERTA	ABDECKSCHIEBER	PORTE
GC0762	LATCH	UNETA	VERSCHLUSS	DOIGT DE RETENUE
GC0846	FEEDER SHOE (3/4)	ALIMENTADOR	NAGELSCHIEBER	POUSSOIR
GC0849	ROLLER	RODILLO	ROLLE	GALET
GF0089	COVER	CUBIERTA	ABDECKUNG	COUVERCLE
HA0001	SAFETY ELEMENT	SEGURO	SICHERHEITSVORRICHTUNG	PALPEUR DE SÉCURITÉ
HA0020	SAFETY ELEMENT	SEGURO	SICHERHEITSVORRICHTUNG	PALPEUR DE SÉCURITÉ
HB0002	BUSHING	CASQUILLO	HÜLSE	DOUILLE
HB0003	TRIGGER	GATILLO	AUSLÖSER	GÂCHETTE
HB0004	TRIGGER	GATILLO	AUSLÖSER	GÂCHETTE
HB0043	PIN	PASADOR	STIFT	GOUPILLE
HB0260	TRIGGER	GATILLO	AUSLÖSER	GÂCHETTE
HB0263	BUSHING	CASQUILLO	HÜLSE	DOUILLE
HG0018	LABEL (Japan)	ETIQUETA	AUFKLEBER	ÉTIQUETTE
	(SAFETY PRECAUTIONS)	(NORMAS DE SEGURIDAD)	(SICHERHEITSHINWEISE)	(PRÉCAUTIONS DE SÉCURITÉ)
KB0020	SCREW	TORNILLO	SCHRAUBE	VIS
KB0027	SCREW	TORNILLO	SCHRAUBE	VIS
KB0038	SCREW	TORNILLO	SCHRAUBE	VIS
KB0040	SCREW	TORNILLO	SCHRAUBE	VIS
KB0198	SCREW	TORNILLO	SCHRAUBE	VIS
KB0443	SCREW	TORNILLO	SCHRAUBE	VIS
KB0965	SCREW	TORNILLO	SCHRAUBE	VIS
KB0981	SCREW	TORNILLO	SCHRAUBE	VIS
KB1550	PIN	PASADOR	STIFT	GOUPILLE
KB1596	PIN	PASADOR	STIFT	GOUPILLE
KB2714	NUT	TUERCA	MUTTER	ÉCROU
KB2966	WASHER	ARANDELA	SCHEIBE	RONDELLE
KB3061	PIN	PASADOR	STIFT	GOUPILLE
KB3262	SCREW	TORNILLO	SCHRAUBE	VIS
KB4163	SPRING	RESORTE	FEDER	RESSORT
KB4260	SPRING	RESORTE	FEDER	RESSORT
KB4305	SPRING	RESORTE	FEDER	RESSORT
KB4542	SPRING	RESORTE	FEDER	RESSORT
KB5004	SCREW	TORNILLO	SCHRAUBE	VIS
KB5005	SPRING	RESORTE	FEDER	RESSORT
KB5037	SCREW	TORNILLO	SCHRAUBE	VIS
KB5276	SPRING	RESORTE	FEDER	RESSORT
LB0014	SEAL	SELLO	DICHTUNG	JOINT
LB0019	SEAL	SELLO	DICHTUNG	JOINT
LB0021	SEAL	SELLO	DICHTUNG	JOINT
LB0023	SEAL	SELLO	DICHTUNG	JOINT
LB0027	SEAL	SELLO	DICHTUNG	JOINT
LB0035	SEAL	SELLO	DICHTUNG	JOINT
LB0128	SEAL	SELLO	DICHTUNG	JOINT
LB3218	SEAL	SELLO	DICHTUNG	JOINT
LB5001	SEAL	SELLO	DICHTUNG	JOINT
LB5002	SEAL	SELLO	DICHTUNG	JOINT
LB5030	SEAL	SELLO	DICHTUNG	JOINT