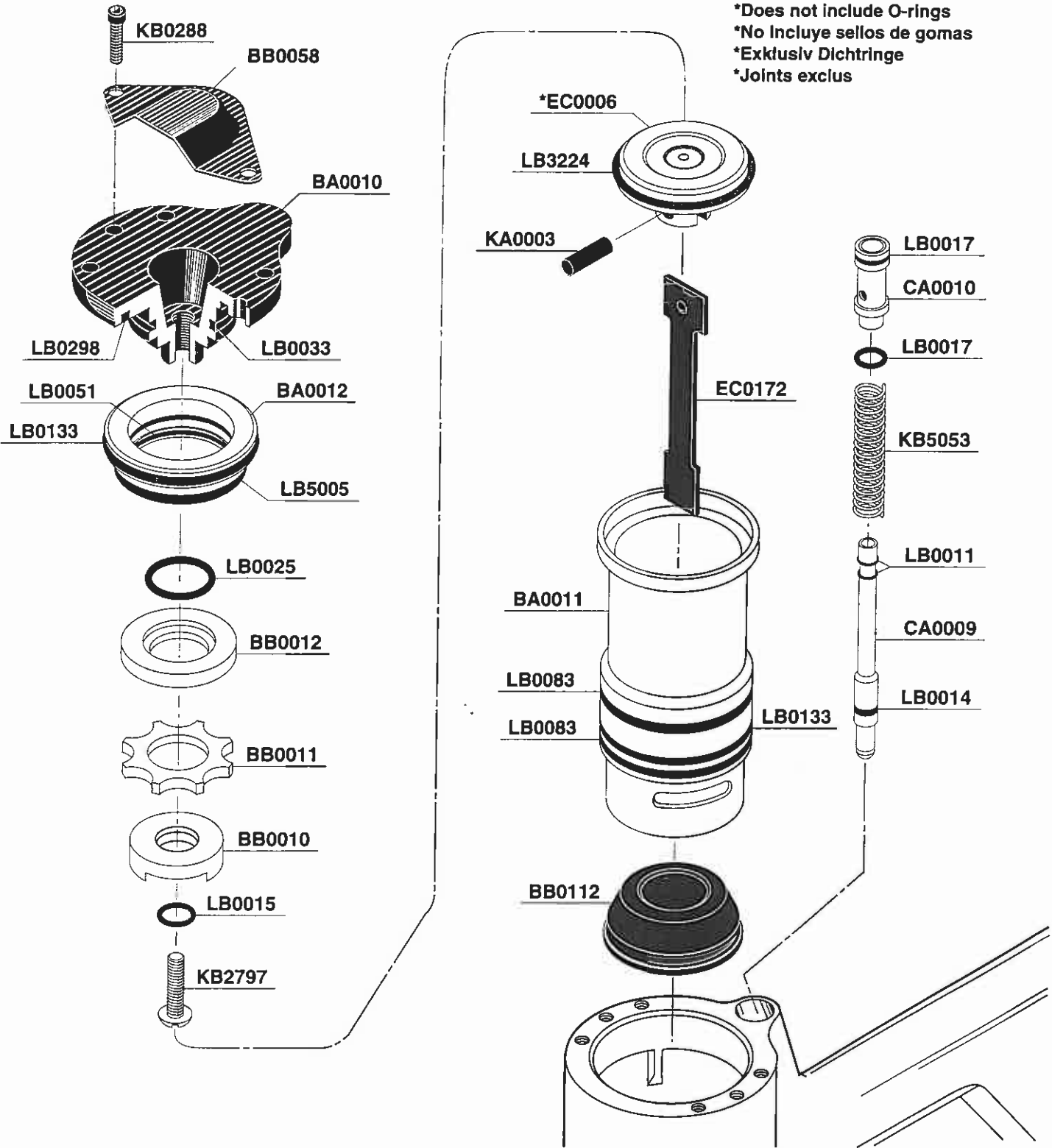
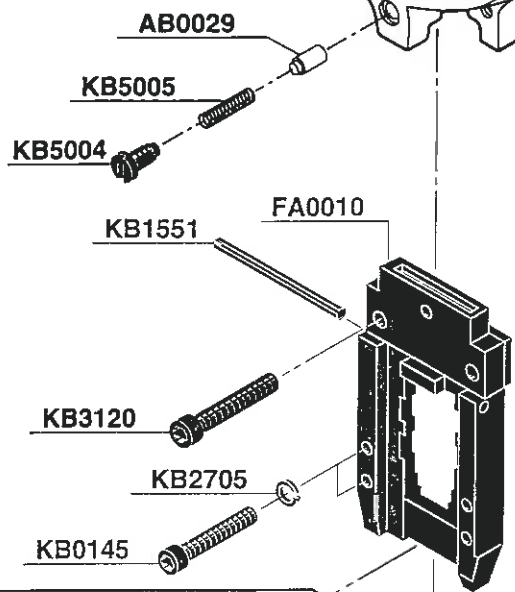
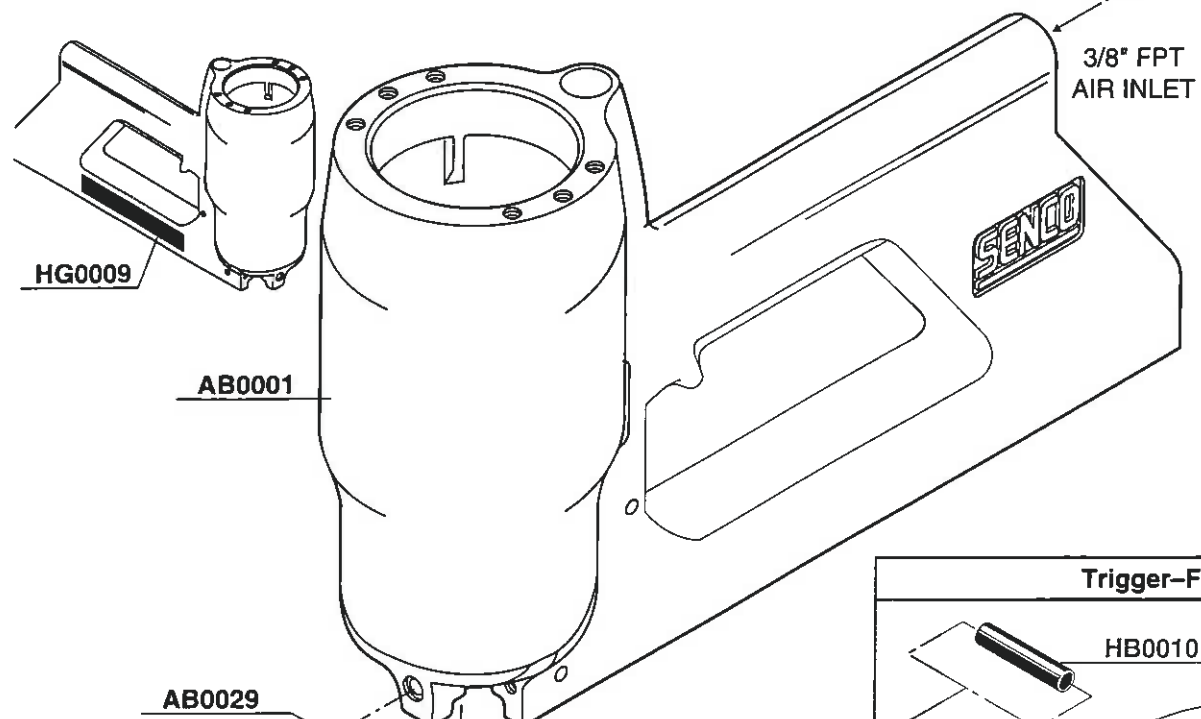


REPLACEMENT PARTS CHART
M3 STAPLER

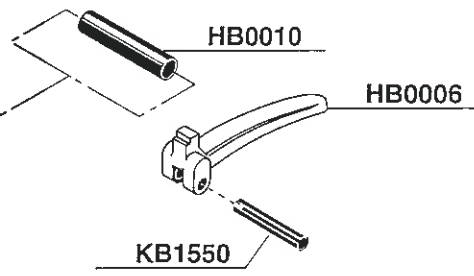


In the U.S.A., you will find your nearest Senco location listed in the Yellow Pages under "Staples" Or, you can call our toll-free Action-line: 1-800-543-4596

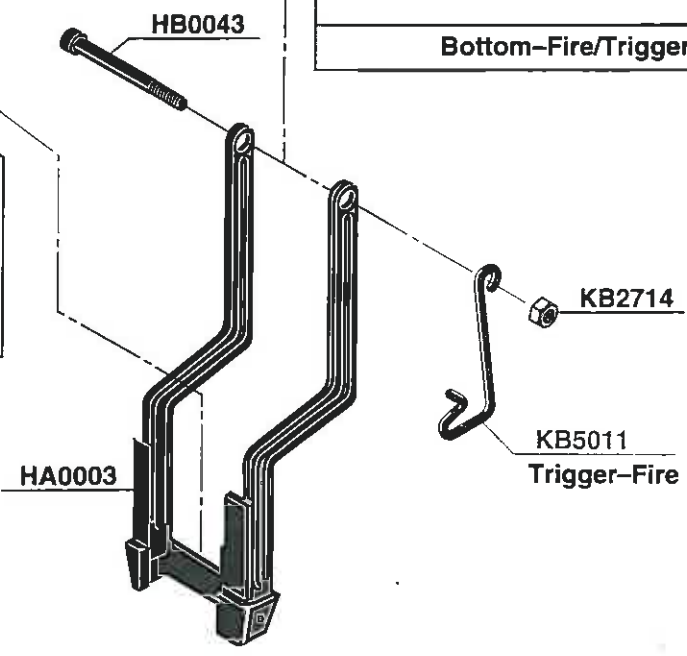
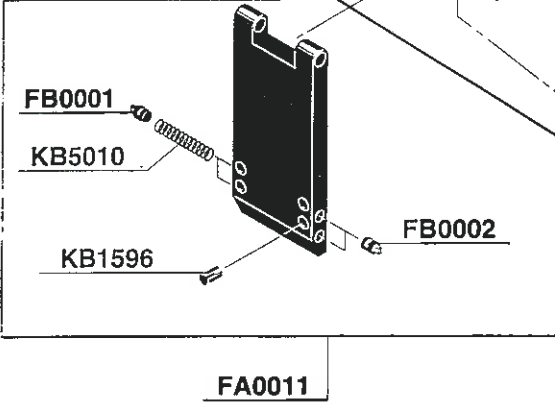
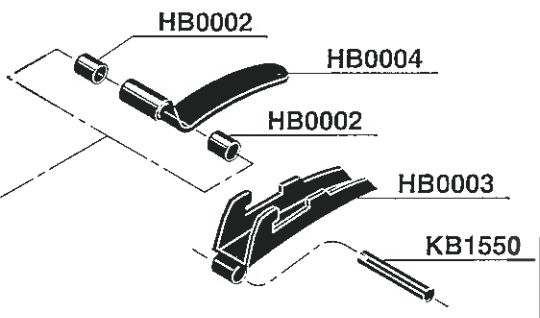
M3



Trigger-Fire



Bottom-Fire/Trigger-Fire



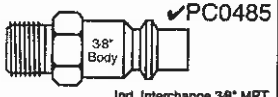
M3

Available Plugs
(Not Included with Tool)



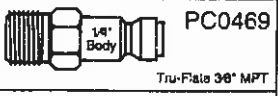
PC0480

Ind. Interchange 3/8" MPT



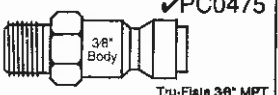
✓PC0485

Ind. Interchange 3/8" MPT



PC0469

Tru-Flate 3/8" MPT

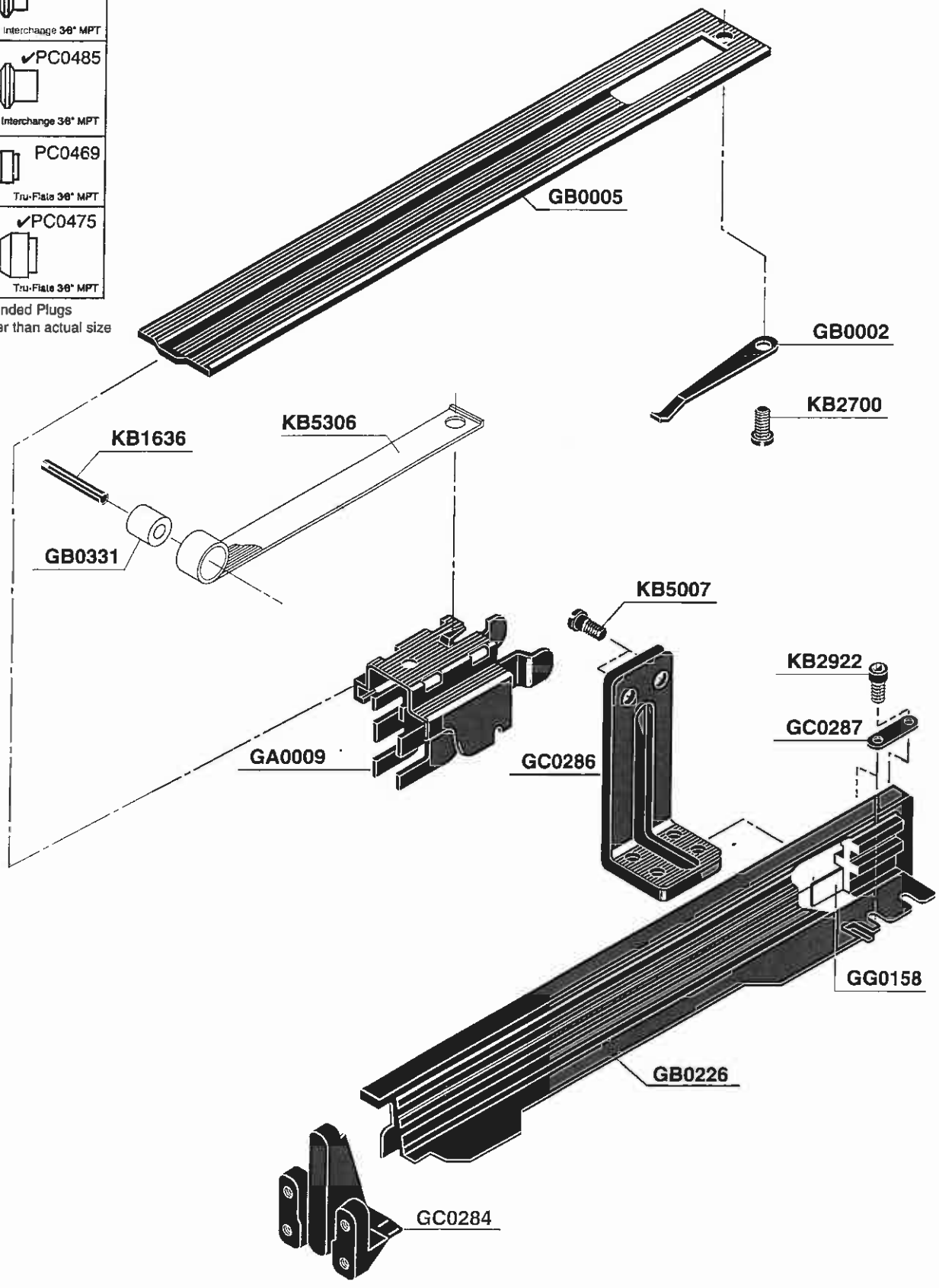


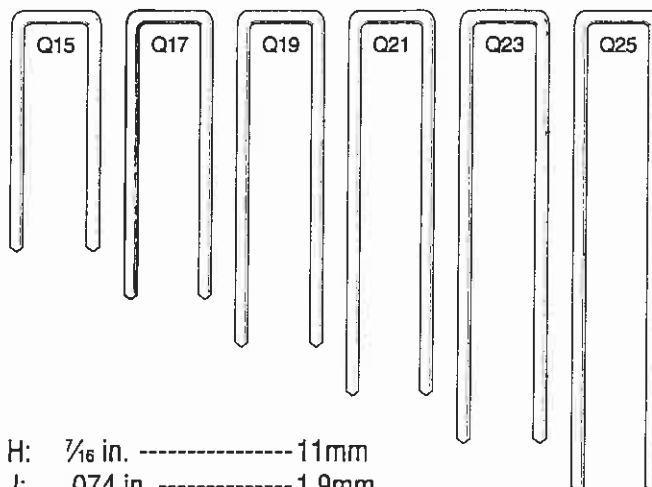
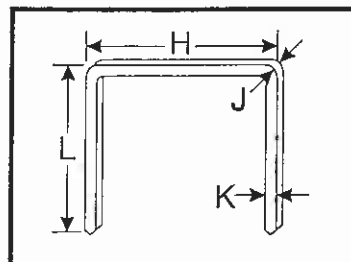
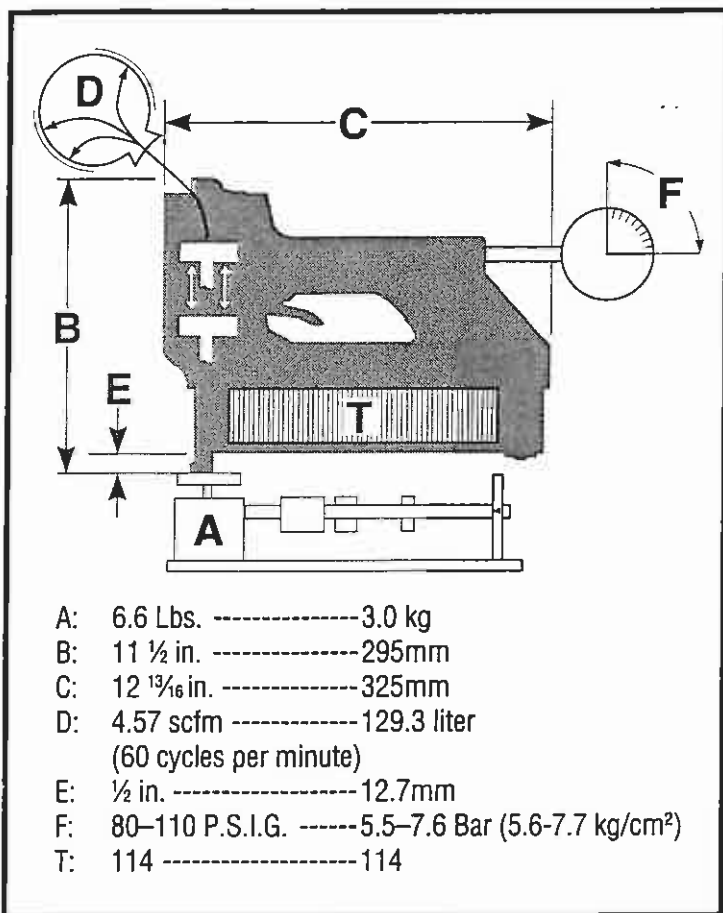
✓PC0475

Tru-Flate 3/8" MPT

✓ Recommended Plugs

Plugs shown smaller than actual size





H: 7/16 in. ----- 11mm
J: .074 in. ----- 1.9mm
K: .067 in. ----- 1.7mm
L: 1 1/4 in.-2 1/2 in. ----- 32mm-63mm

M3 Stapler Replacement Parts List

PART #	DESCRIPTION	PART#	DESCRIPTION	PART#	DESCRIPTION
AA0044	DETENT ASSY.	GA0009	FEEDER SHOE	KB2797	SCREW
AB0001	MAIN BODY	GA0020	FEEDER SPRING ASSY. (D/L)	KB2922	SCREW
AB0002	MAIN BODY (S/M)	GA0023	MAGAZINE (D/L)	KB3120	SCREW
AB0029	DETENT	GB0002	RETAINER	KB5004	SCREW
BA0010	CYLINDER CAP ASSY.	GB0005	GUIDE TRACK	KB5005	SPRING
BA0011	CYLINDER SLEEVE ASSY.	GB0008	GUIDE TRACK (D/L)	KB5007	SCREW
BA0012	FIRING VALVE ASSY.	GB0009	EXTENSION BRACKET (D/L)	KB5010	SPRING
BA0014	VALVE CORE ASSY. (S/M)	GB0331	ROLLER	KB5011	SPRING (TRIGGER-FIRE)
BA0015	FIRING VALVE HSG. ASSY. (S/M)	GC0226	RAIL ASSY.	KB5012	SPRING (S/M)
BA0016	SELECTOR VALVE HSG. ASSY. (S/M)	GC0284	MOUNT	KB5053	SPRING
BA0017	REMOTE VALVE HSG. ASSY. (S/M)	GC0286	BRACKET	KB5306	SPRING
BA0018	SELECTOR VALVE CORE ASSY (S/M)	GC0287	WASHER	LB0010	SEAL (S/M)
BA0019	INLET VALVE HSG. ASSY. (S/M)	GG0158	MAGAZINE LABEL	LB0011	SEAL
BA0020	INLET VALVE CORE ASSY. (S/M)	HA0003	SAFETY	LB0013	SEAL (S/M)
BA0021	CYLINDER CAP ASSY. (S/M)	HB0002	BUSHING	LB0014	SEAL
BB0010	CYLINDER CAP SPACER (S/M)	HB0003	TRIGGER	LB0015	SEAL
BB0011	EXHAUST VALVE SPACER (S/M)	HB0004	TRIGGER SAFETY	LB0016	SEAL (S/M)
BB0012	EXHAUST VALVE (S/M)	HB0006	TRIGGER (TRIGGER-FIRE)	LB0017	SEAL
BB0017	INLET VALVE HSG. (S/M)	HB0010	BUSHING (TRIGGER-FIRE)	LB0018	SEAL (S/M)
BB0058	EXHAUST DEFLECTOR	HB0043	SAFETY STOP PIN	LB0025	SEAL
BB0112	PISTON STOP	HG0009	LABEL (SAFETY PRECAUTIONS)	LB0033	SEAL
CA0009	REMOTE VALVE CORE ASSY.	KA0003	DRIVER PIN ASSY.	LB0051	SEAL
CA0010	REMOTE VALVE HSG. ASSY.	KB0145	SCREW	LB0083	SEAL
CA0011	REMOTE VALVE HSG. ASSY. (S/M)	KB0288	SCREW	LB0133	SEAL
CA0012	REMOTE VALVE CAGE. ASSY. (S/M)	KB1550	PIN	LB0274	SEAL (S/M)
CA0013	REMOTE VALVE ASSY. (S/M)	KB1551	PIN	LB0298	SEAL
EB0008	DRIVER (1/8" CSK.)	KB1596	PIN	LB0756	SEAL (S/M)
EC0006	PISTON	KB1596	PIN	LB0757	SEAL (S/M)
EC0172	DRIVER (3/16" CSK.)	KB1636	PIN	LB0758	SEAL (S/M)
FA0009	GUIDE BODY	KB1727	RETAINER (S/M)	LB3224	SEAL
FA0010	BACKPLATE	KB1742	RETAINER (S/M)	LB5005	SEAL
FA0011	GATE ASSY.	KB2700	SCREW	LB5007	SEAL (S/M)
FB0001	RIGHT LATCH PIN	KB2705	WASHER	LB5009	SEAL (S/M)
FB0002	LEFT LATCH PIN	KB2714	NUT	LB5019	SEAL (S/M)

SERVICE NOTES

DATE ISSUED: February 1991

DATE OF CHANGE: February 1991

TECHNICAL SUPPORT DEPARTMENT
CINCINNATI, OHIO 45244, U.S.A.
© 1991 BY SENCO PRODUCTS, INC.



SENCO[®]
FASTENING SYSTEMS

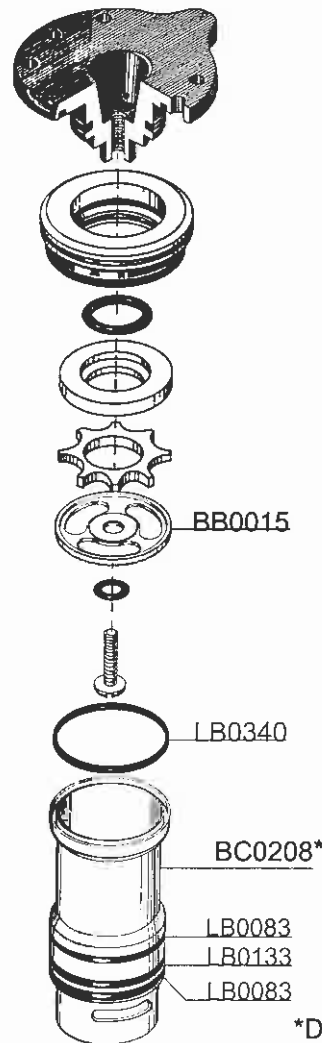
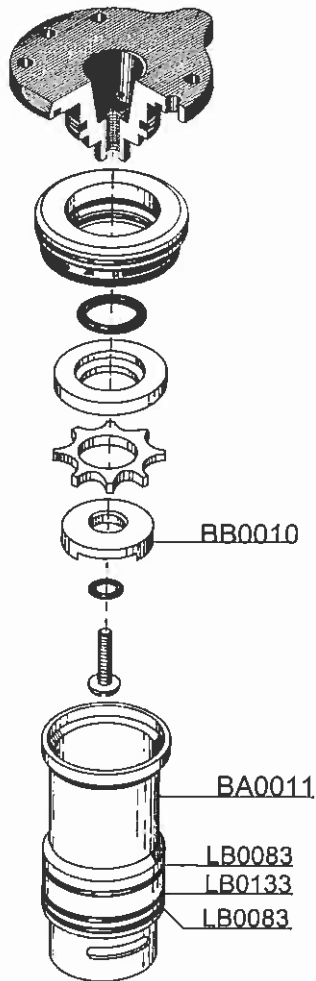
Subject: Cylinder Sleeve Hold-Down

An optional Cylinder Sleeve and Sleeve Hold-Down have been developed for use in tools that have experienced excess main body wear due to the natural movement of the cylinder sleeve. There may be power issues when using these parts in high speed/hard drive applications. The new Cylinder Sleeve (BC0208) is shorter than the standard sleeve (BA0011) and requires a square seal (LB0340) at the top of the sleeve. The spacer (BB0010) will need to be replaced with the sleeve hold-down, (BB0015).

M3 STABLER

REG.

Hold-Down



*Does not include seals

The new Cylinder Sleeve (BC0208) and Hold-Down (BB0015) are available as optional service parts only. Tools will be built with the standard sleeve (BA0011).