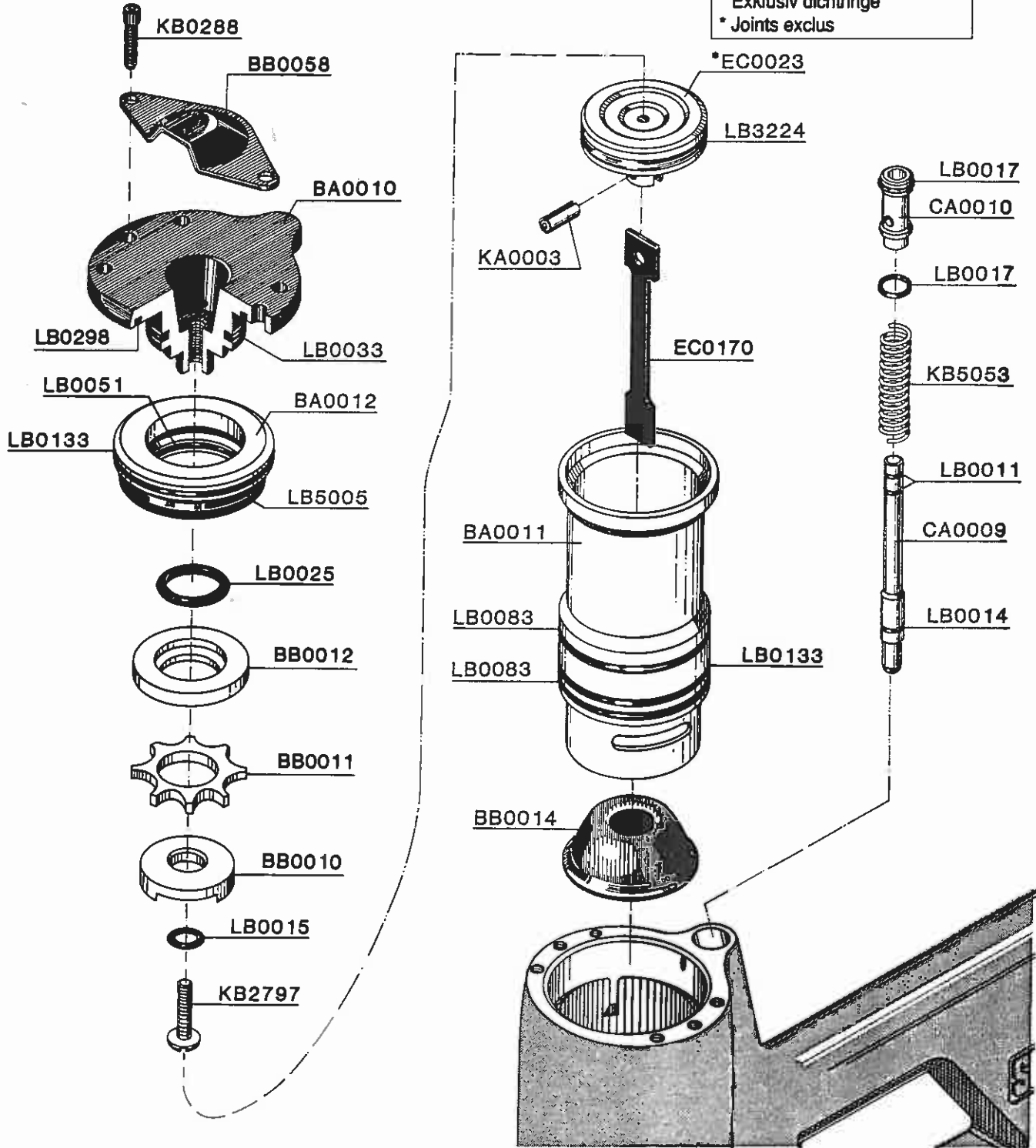
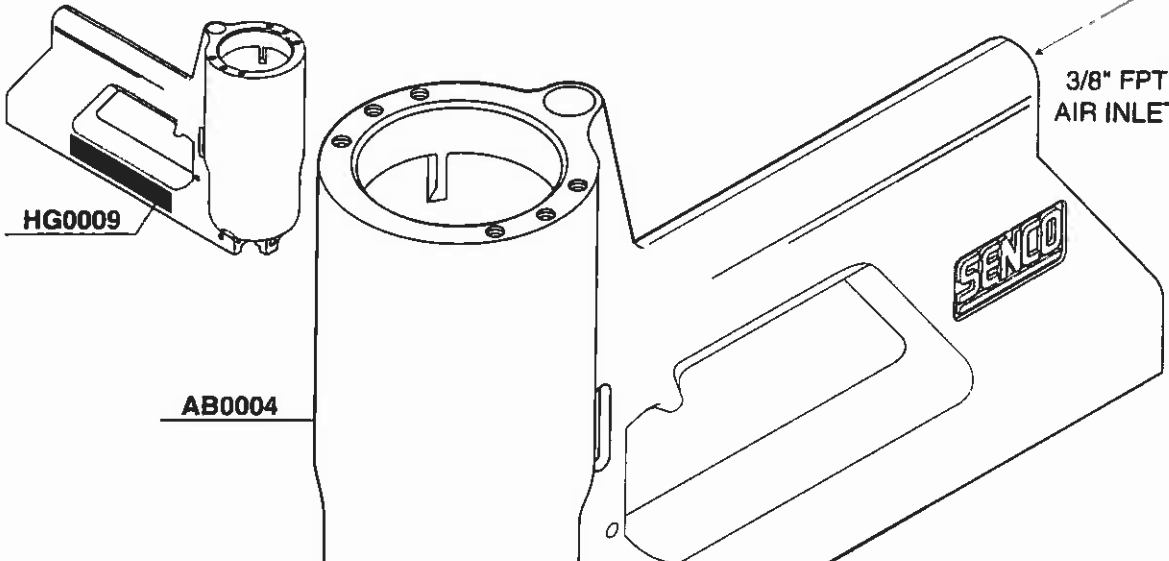


**REPLACEMENT PARTS CHART
M2 STAPLER**

* Does not include O-rings
* No incluye sellos de gomas
* Exklusiv dichtringe
* Joints exclus





HG0009

AB0004

AB0029

KB5005

KB5004

FA0015

KB1551

KB3120

KB2705

KB0145

FB0001

KB5010

KB1596

FB0002

FA0011

HA0003

HB0043

Trigger-Fire

HB0010

HB0006

KB1550

HB0002

HB0004

HB0002

HB0003

KB1550

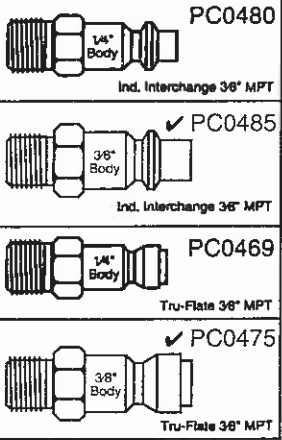
Bottom-Fire/Trigger-Fire

KB2714

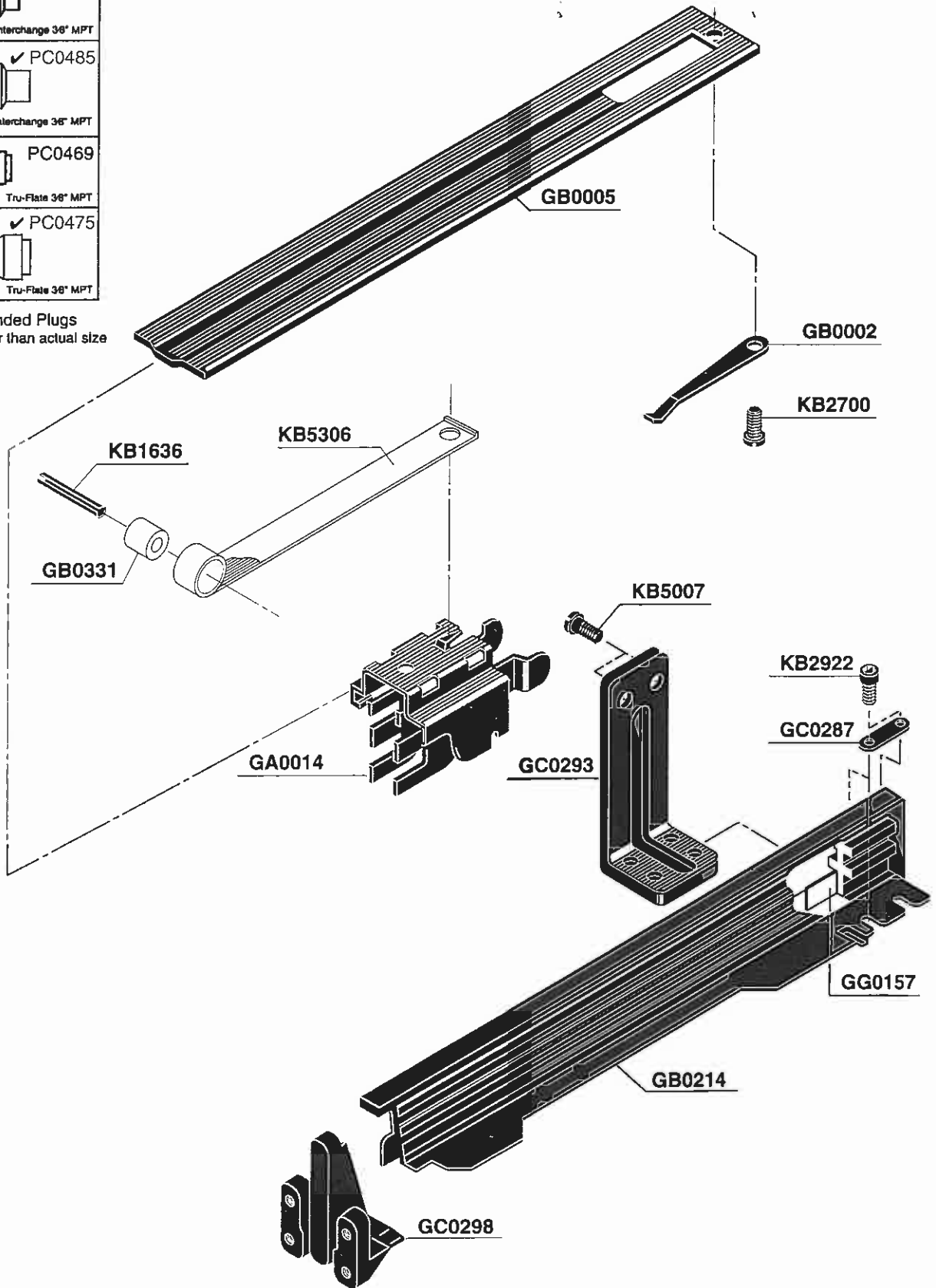
KB5011

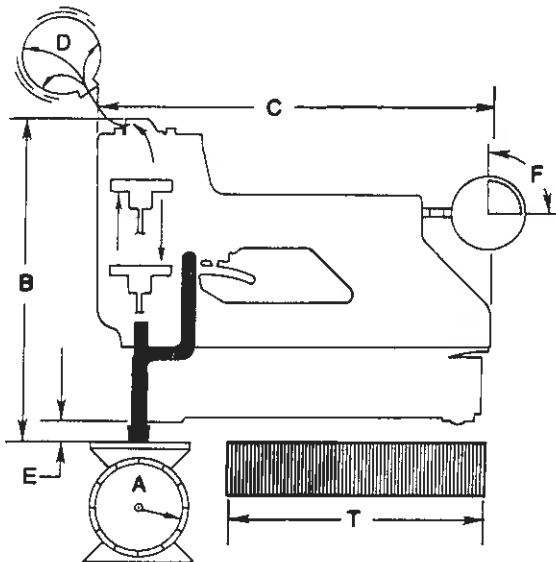
Trigger-Fire

**Available Plugs
(Not Included with Tool)**

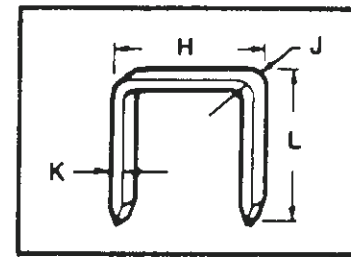


✓ **Recommended Plugs**
Plugs shown smaller than actual size





A:	6.5 lbs.	2.95 kg.
B:	11½ in.	292mm
C:	12¾ in.	319mm
D:	4.72 scfm	133,5 liter
	(60 cycles per minute)	
E:	¾ in.	22.2mm
F:	80-110 P.S.I.G.	5.5-7.5 Bar (5.6-7.7 kg/cm²)
T:	140	



H:	7/16 in.	11.1mm
J:	.062 in.	1.6mm
K:	.055 in.	1.4mm
L:	1¾ in. — 2 in.	35mm — 51mm



M2 REPLACEMENT PARTS

<u>PART #</u>	<u>DESCRIPTION</u>	<u>PART #</u>	<u>DESCRIPTION</u>	<u>PART #</u>	<u>DESCRIPTION</u>
AA0044	DETENT ASSY.	GB0002	RETAINER	KB2700	SCREW
AB0004	MAIN BODY	GB0005	GUIDE TRACK	KB2705	WASHER
AB0012	MAIN BODY (D/L)	GB0008	GUIDE TRACK (D/L)	KB2714	NUT
AB0029	DETENT	GB0009	EXTENSION BRACKET (D/L)	KB2797	SCREW
BA0010	CYLINDER CAP ASSY.	GB0146	OUTER ROLLER	KB2922	SCREW
BA0011	CYLINDER SLEEVE ASSY.	GB0147	INNER ROLLER	KB3120	SCREW
BA0012	FIRING VALVE ASSY.	GB0214	RAIL ASSY.	KB5004	SCREW
BB0010	SPACER	GC0287	WASHER	KB5005	SPRING
BB0011	SPACER	GC0293	BRACKET	KB5007	SCREW
BB0012	VALVE	GC0298	MOUNT	KB5010	SPRING
BB0014	PISTON STOP	GG0157	MAGAZINE LABEL	KB5011	SPRING (RESTRICTIVE)
BB0058	EXHAUST DEFLECTOR	HA0003	SAFETY	KB5053	SPRING
CA0009	REMOTE CONTROL VALVE CORE ASSY.	HB0002	BUSHING	KB5191	SPRING
CA0010	REMOTE CONTROL VALVE HSG. ASSY.	HB0003	TRIGGER	LB0011	SEAL
EB0014	DRIVER (1/16" CSK.)	HB0004	TRIGGER SAFETY	LB0014	SEAL
EB0015	DRIVER (1/8" CSK.)	HB0006	TRIGGER (RESTRICTIVE)	LB0015	SEAL
EC0023	PISTON	HB0010	BUSHING (RESTRICTIVE)	LB0017	SEAL
EC0170	DRIVER (3/16" CSK.)	HB0043	SAFETY STOP PIN	LB0025	SEAL
FA0011	GATE ASSY.	HG0009	LABEL (SAFETY PRECAUTIONS)	LB0033	SEAL
FA0015	BACKPLATE	KA0003	DRIVER PIN ASSY.	LB0051	SEAL
FA0020	GUIDE BODY ASSY.	KB0145	SCREW	LB0083	SEAL
FB0001	RIGHT LATCH PIN	KB0288	SCREW	LB0133	SEAL
FB0002	LEFT LATCH PIN	KB1550	PIN	LB0298	SEAL
GA0014	FEEDER SHOE	KB1551	PIN	LB3224	SEAL
GA0020	FEEDER SPRING ASSY. (D/L)	KB1596	PIN	LB5005	SEAL
GA0023	MAGAZINE (D/L)	KB1636	PIN		

SERVICE NOTES

NO.: M2 - 15

DATE ISSUED: February 1991

DATE OF CHANGE: February 1991

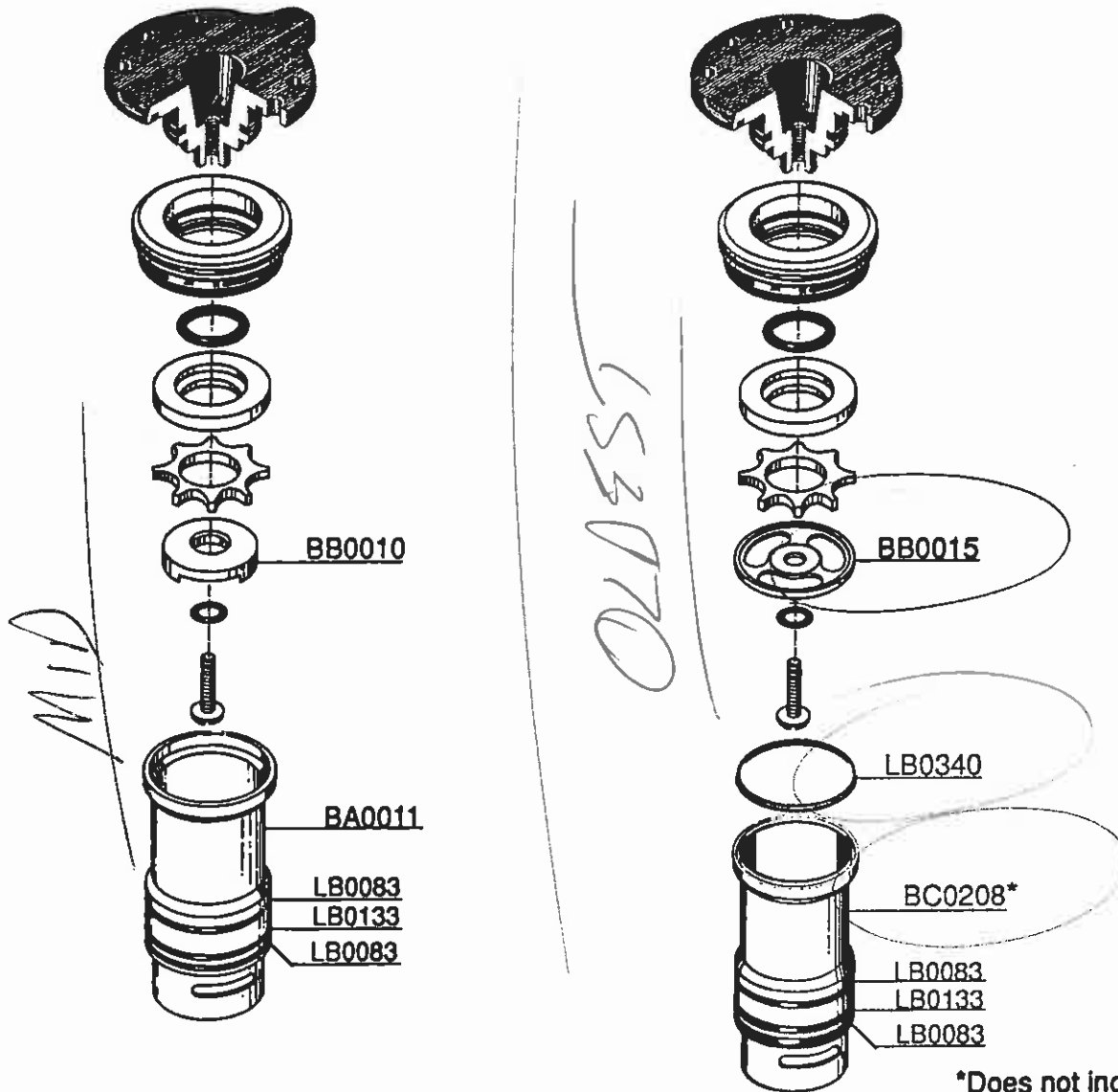
TECHNICAL SUPPORT DEPARTMENT
CINCINNATI, OHIO 45244, U.S.A.
© 1991 BY SENCO PRODUCTS, INC.



SENCO[®]
FASTENING SYSTEMS

Subject: Cylinder Sleeve Hold-Down

An optional Cylinder Sleeve and Sleeve Hold-Down have been developed for use in tools that have experienced excess main body wear due to the natural movement of the cylinder sleeve. There may be power issues when using these parts in high speed/hard drive applications. The new Cylinder Sleeve (BC0208) is shorter than the standard sleeve (BA0011) and requires a square seal (LB0340) at the top of the sleeve. The spacer (BB0010) will need to be replaced with the sleeve hold-down (BB0015).



*Does not include seals

The new Cylinder Sleeve (BC0208) and Hold-Down (BB0015) are available as optional service parts only. Tools will be built with the standard sleeve (BA0011).