

SENCO®

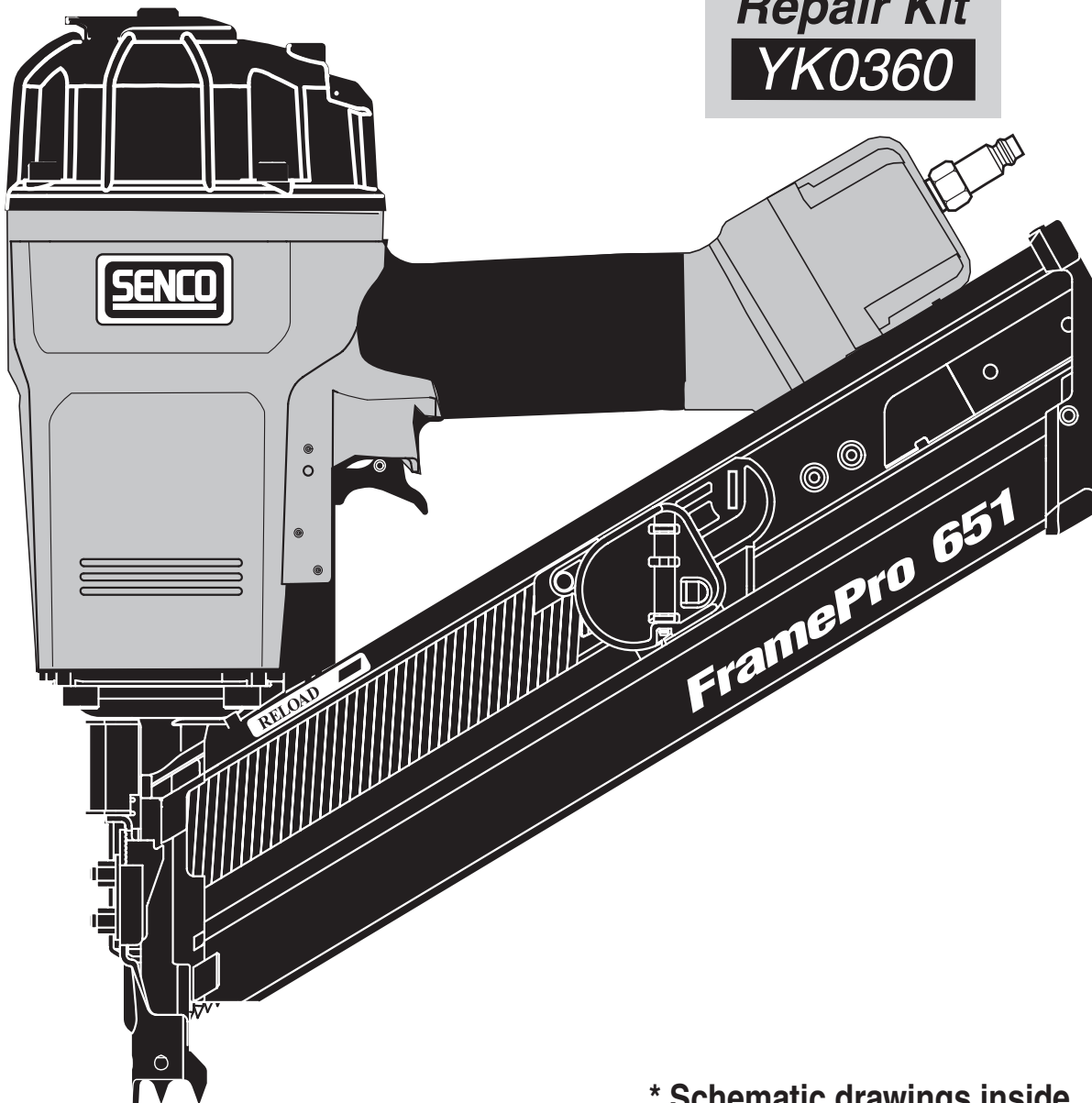
FramePro 651/651 100mm Framing Nailer



Parts Reference Guide



Repair Kit
YK0360



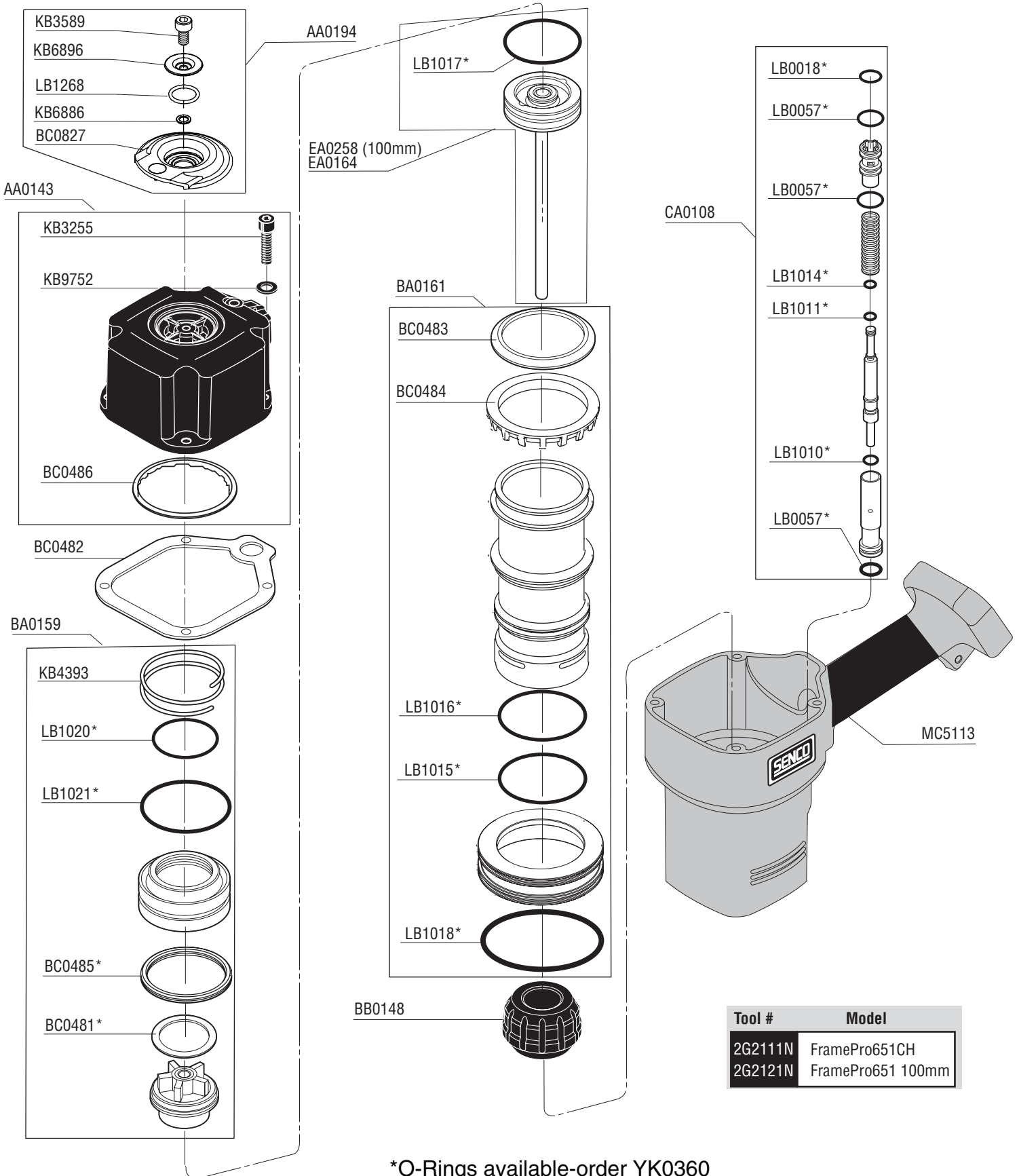
* Schematic drawings inside

Senco Brands Inc.
4270 Ivy Pointe Blvd.
Cincinnati, Ohio 45245
Visit Our Website: www.senco.com
EU Website: www.verpa-senco.com

Questions? Comments? call SENCO's toll-free Action-line:
1-800-543-4596 (North & South America only)
or e-mail: toolprof@senco.com

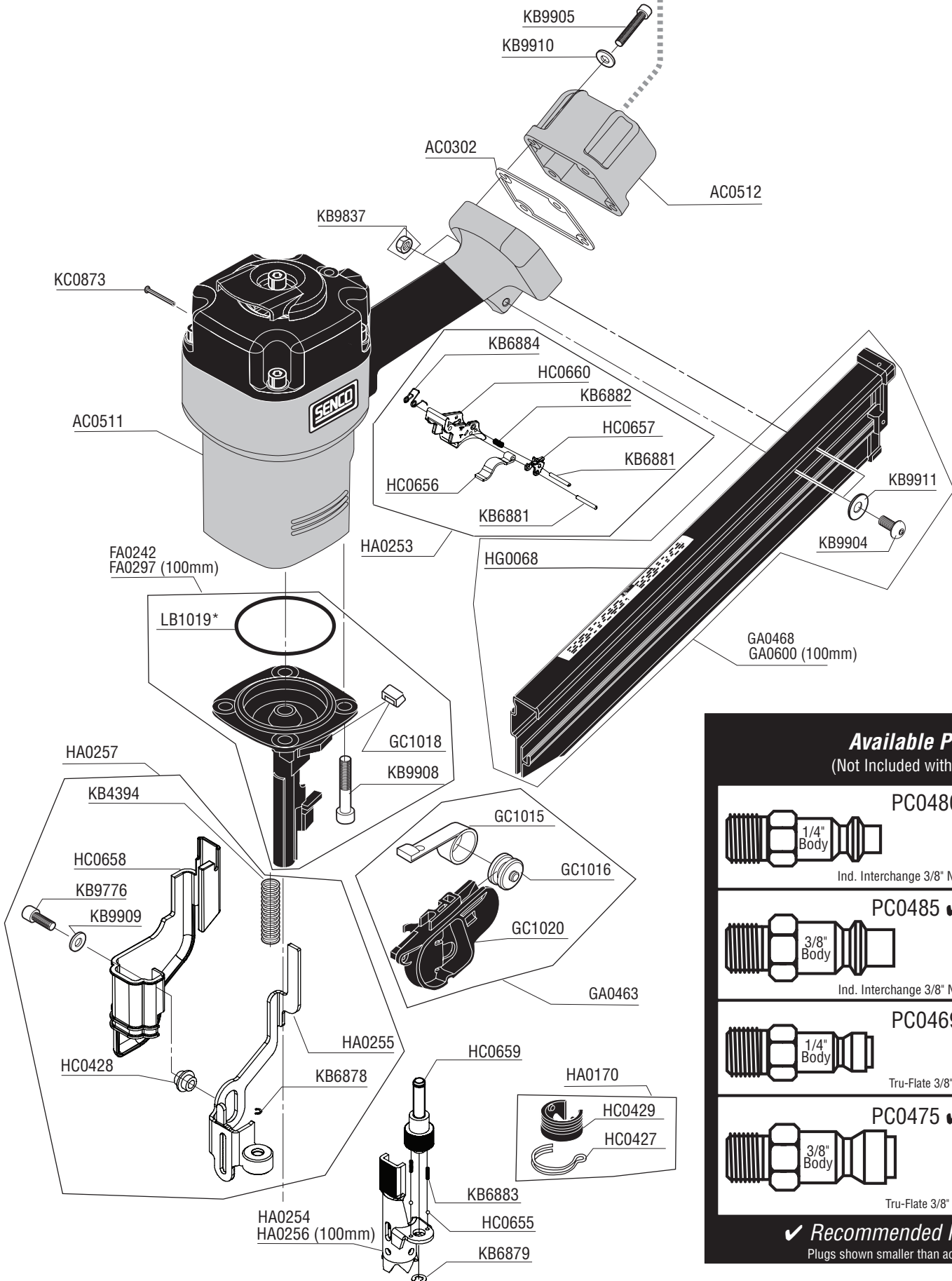
FramePro® 651

SENCO®


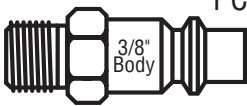




*O-Rings available-order YK0360

| Tool # | Model |
|---------|-------------------|
| 2G2111N | FramePro651CH |
| 2G2121N | FramePro651 100mm |



Available Plugs (Not Included with Tool)

| | |
|---|--|
|  | PC0480 |
| | 1/4" Body Ind. Interchange 3/8" NPT |
|  | PC0485 ✓ |
| | 3/8" Body Ind. Interchange 3/8" NPT |
|  | PC0469 |
| | 1/4" Body Tru-Flate 3/8" NPT |
|  | PC0475 ✓ |
| | 3/8" Body Tru-Flate 3/8" NPT |

✓ **Recommended Plugs**
Plugs shown smaller than actual size

FramePro® 651 Framing Nailer

REPLACEMENT PARTS LIST • LISTA DE PARTES DE REPUESTO • ERSATZTEILE-LISTE • LISTE DE PIÈCES DE RECHANGE

| PART NO. | DESCRIPTION | DESCRIPCIÓN | BESCHREIBUNG | DÉSIGNATION |
|----------|-------------------------------|---------------------------|------------------------------------|------------------------------|
| AA0143 | CAP ASSEMBLY | ASAMBLE DE TAPA | KAPPE-ZUSAMMENBAU | ENSEMBLE BOUCHON |
| AA0194 | DEFLECTOR ASSEMBLY | ASAMBLE DE DESVIADOR | ABWEISER-ZUSAMMENBAU | ENSEMBLE DÉFLECTEUR |
| AC0302 | SEAL | SELLO | DICHTUNG | JOINT |
| AC0511 | MAINBODY | CARCASA | GEHAUS | CORPS |
| AC0512 | END CAP ASSEMBLY | ASAMBLE DE TAPA TERMINAL | ABSCHLUßKAPPE-ZUSAMMENBAU | BOUCHON D'EXTRÉMITÉ DE RAIL |
| BA0159 | FIRING VALVE ASSEMBLY | ASAMBLE DE VÁLVULA | VENTIL-ZUSAMMENBAU | ENSEMBLE VALVE |
| BA0161 | CYLINDER ASSEMBLY | ASAMBLE DE CILINDRO | ZYLINDER-ZUSAMMENBAU | ENSEMBLE CYLINDRE |
| BB0148 | STOP, PISTON | TOPE | PUFFER | ARRÊT |
| BC0481 | WASHER | ARANDELA | SCHEIBE | RONDELLE |
| BC0482 | SEAL | SELLO | DICHTUNG | JOINT |
| BC0483 | RETAINER, SLEEVE | RETÉN | SICHERUNGSRING | RETENUE |
| BC0484 | SEAL | SELLO | DICHTUNG | JOINT |
| BC0485 | WASHER | ARANDELA | SCHEIBE | RONDELLE |
| BC0486 | RETAINER | RETÉN | SICHERUNGSRING | RETENUE |
| BC0827 | DEFLECTOR | DESVIADOR | ABWEISER | DÉFLECTEUR |
| CA0108 | CORE ASSEMBLY | ASAMBLE DE VÁSTAGO | VENTILSTIFT-ZUSAMMENBAU | ENSEMBLE NOYAU |
| EA0164 | PISTON ASSEMBLY | ASAMBLE DE PISTON | KOLBEN-ZUSAMMENBAU | ENSEMBLE PISTON-COUTEAU |
| EA0258 | PISTON ASSEMBLY (100mm) | ASAMBLE DE PISTON | KOLBEN-ZUSAMMENBAU | ENSEMBLE PISTON-COUTEAU |
| FA0242 | GUIDE BODY ASSEMBLY | ASAMBLE DE PLACA DE NARIZ | NAGELFÜHRUNG-ZUSAMMENBAU | ENSEMBLE FRONT |
| FA0297 | GUIDE BODY ASSEMBLY (100mm) | ASAMBLE DE PLACA DE NARIZ | NAGELFÜHRUNG-ZUSAMMENBAU | ENSEMBLE FRONT |
| GA0463 | FEEDER SHOE ASSEMBLY | ASAMBLE DE ALIMENTADOR | NAGELSCHIEBER-ZUSAMMENBAU | ENSEMBLE POUSSOIR |
| GA0468 | MAGAZINE | CARGADOR | MAGAZIN | MAGASIN |
| GA0600 | MAGAZINE (100mm) | CARGADOR | MAGAZIN | MAGASIN |
| GC1015 | SPRING, FEEDER | RESORTE | FEDER | RESSORT |
| GC1016 | ROLLER, FEEDER SPRING | RODILLO | ROLLE | GALET |
| GC1018 | STOP | TOPE | PUFFER | ARRÊT |
| GC1020 | FEEDER SHOE | ALIMENTADOR | NAGELSCHIEBER | POUSSOIR |
| HA0170 | NO-MAR PAD ASSEMBLY | ASAMBLE DE AMORTIGUADOR | SCHUTZ-ZUSAMMENBAU | ENSEMBLE COUSSIN |
| HA0253 | TRIGGER ASSY | ASAMBLE DE GATILLO | AUSLÖSER-ZUSAMMENBAU | ENSEMBLE GÂCHETTE |
| HA0254 | SAFETY ELEMENT | SEGURO | SICHERHEITSVORRICHTUNG | PALPEUR DE SÉCURITÉ |
| HA0255 | SAFETY ELEMENT (LOWER) | SEGURO DE INFERIOR | UNTERSICHERHEITSVORRICHTUNG | SÉCURITÉ EN DESSOUS |
| HA0256 | SAFETY ELEMENT (LOWER)(100mm) | SEGURO DE INFERIOR | UNTERSICHERHEITSVORRICHTUNG | SÉCURITÉ EN DESSOUS |
| HA0257 | SAFETY ELEMENT ASSEMBLY | ASAMBLE DE SEGURO | SICHERHEITSVORRICHTUNG-ZUSAMMENBAU | ENSEMBLE PALPEUR DE SÉCURITÉ |
| HC0427 | SPRING | RESORTE | FEDER | RESSORT |
| HC0428 | BUSHING | CASQUILLO | HÜLSE | DOUILLE |
| HC0429 | NO-MAR PAD | AMORTIGUADOR | SCHUTZ | COUSSIN |
| HC0655 | ADJUSTOR BALL | TORNILLO | SCHRAUBE | VIS |
| HC0656 | TRIGGER, INNER | GATILLO | AUSLÖSER | GÂCHETTE |
| HC0657 | TRIGGER, GUIDE | GATILLO | AUSLÖSER | GÂCHETTE |
| HC0658 | COVER, SAFETY | PLACA | SCHUTZPLATTE | BOUCLIER ANTIABRASIF |
| HC0659 | ADJUSTOR | TORNILLO | SCHRAUBE | VIS |
| HC0660 | TRIGGER | GATILLO | AUSLÖSER | GÂCHETTE |
| HG0068 | LABEL | ETIQUETA | AUFKLEBER | ÉTIQUETTE |
| KB3255 | SCREW | TORNILLO | SCHRAUBE | VIS |
| KB3589 | SCREW | TORNILLO | SCHRAUBE | VIS |
| KB4393 | SPRING, FIRING VALVE | RESORTE | FEDER | RESSORT |
| KB4394 | SPRING, SAFETY | RESORTE | FEDER | RESSORT |
| KB6878 | E-RING | SELLO | DICHTUNG | JOINT |
| KB6879 | E-RING | SELLO | DICHTUNG | JOINT |
| KB6881 | PIN | PASADOR | STIFT | GOUPILLE |
| KB6882 | SPRING | RESORTE | FEDER | RESSORT |
| KB6883 | SPRING | RESORTE | FEDER | RESSORT |
| KB6884 | SPRING | RESORTE | FEDER | RESSORT |
| KB6886 | WASHER | ARANDELA | SCHEIBE | RONDELLE |
| KB6896 | WASHER | ARANDELA | SCHEIBE | RONDELLE |
| KB9752 | WASHER | ARANDELA | SCHEIBE | RONDELLE |
| KB9776 | SCREW | TORNILLO | SCHRAUBE | VIS |
| KB9837 | NUT | TUERCA | MUTTER | ÉCROU |
| KB9904 | SCREW | TORNILLO | SCHRAUBE | VIS |
| KB9905 | SCREW | TORNILLO | SCHRAUBE | VIS |
| KB9908 | SCREW | TORNILLO | SCHRAUBE | VIS |
| KB9909 | WASHER | ARANDELA | SCHEIBE | RONDELLE |
| KB9910 | WASHER | ARANDELA | SCHEIBE | RONDELLE |
| KB9911 | WASHER | ARANDELA | SCHEIBE | RONDELLE |
| KC0873 | PIN, TRIGGER PIVOT | PASADOR | STIFT | GOUPILLE |
| LB0018 | SEAL | SELLO | DICHTUNG | JOINT |
| LB0057 | SEAL | SELLO | DICHTUNG | JOINT |
| LB1010 | SEAL | SELLO | DICHTUNG | JOINT |
| LB1011 | SEAL | SELLO | DICHTUNG | JOINT |
| LB1014 | SEAL | SELLO | DICHTUNG | JOINT |
| LB1015 | SEAL | SELLO | DICHTUNG | JOINT |
| LB1016 | SEAL | SELLO | DICHTUNG | JOINT |
| LB1017 | SEAL | SELLO | DICHTUNG | JOINT |
| LB1018 | SEAL | SELLO | DICHTUNG | JOINT |
| LB1019 | SEAL | SELLO | DICHTUNG | JOINT |
| LB1020 | SEAL | SELLO | DICHTUNG | JOINT |
| LB1021 | SEAL | SELLO | DICHTUNG | JOINT |
| LB1268 | O-RING | SELLO | DICHTUNG | JOINT |
| MC5113 | GRIP | AGARRADERO | GRIFF | GAINE EN CUIR |