

FinishPro[®] 35

15 ga. Angled Finish Nailer



Parts Reference Guide



*** Schematic drawings inside**

Senco Products Inc.
8485 Broadwell Road
Cincinnati, Ohio 45244

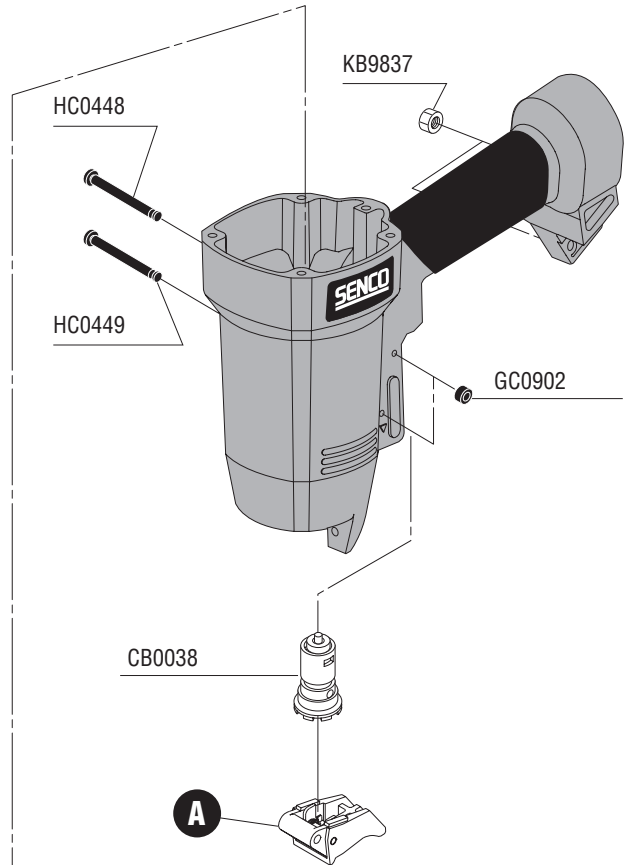
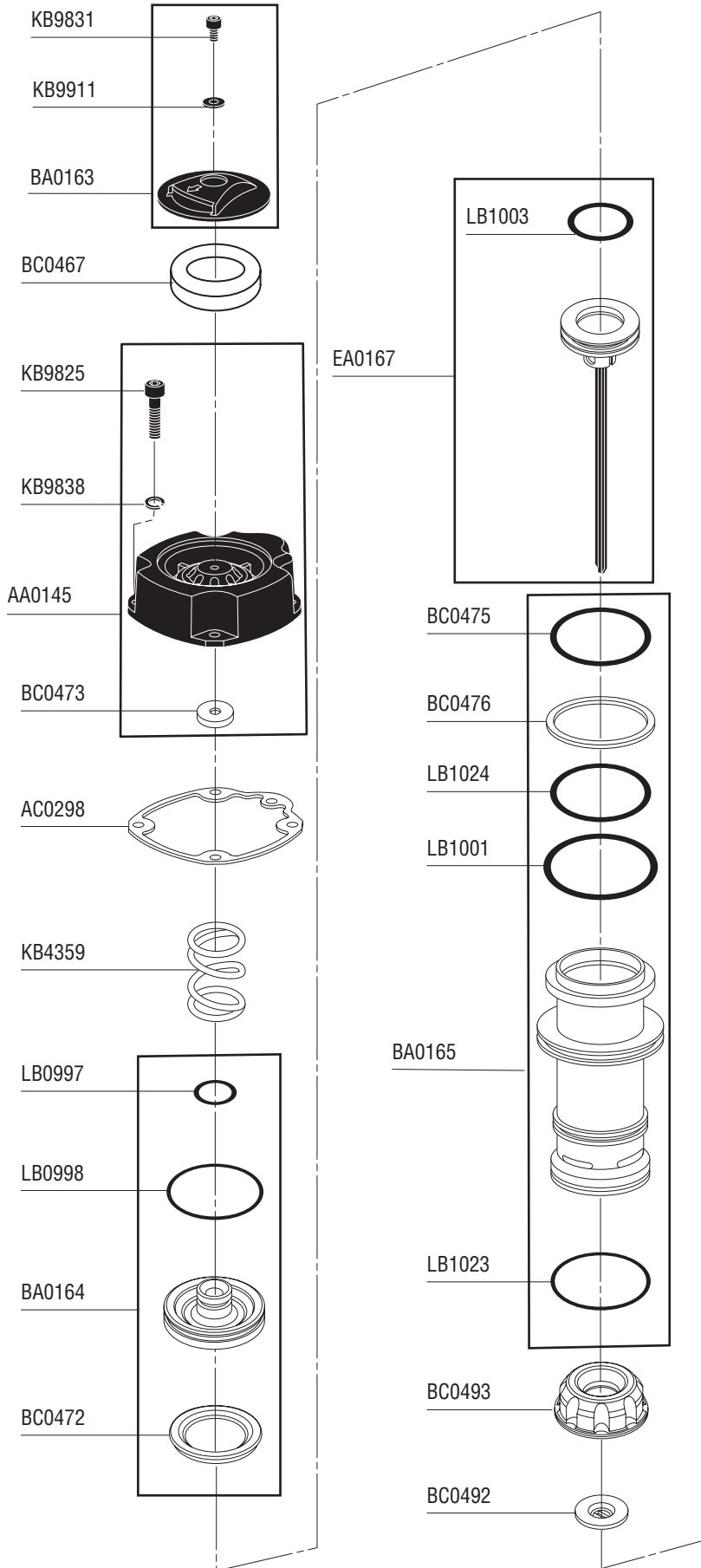
Questions? Comments? call Senco's toll-free Action-line:
1-800-543-4596 (North and South America Only)
or e-mail: toolprof@senco.com

Visit Our Website: www.senco.com

FinishPro® 35

SENCO®

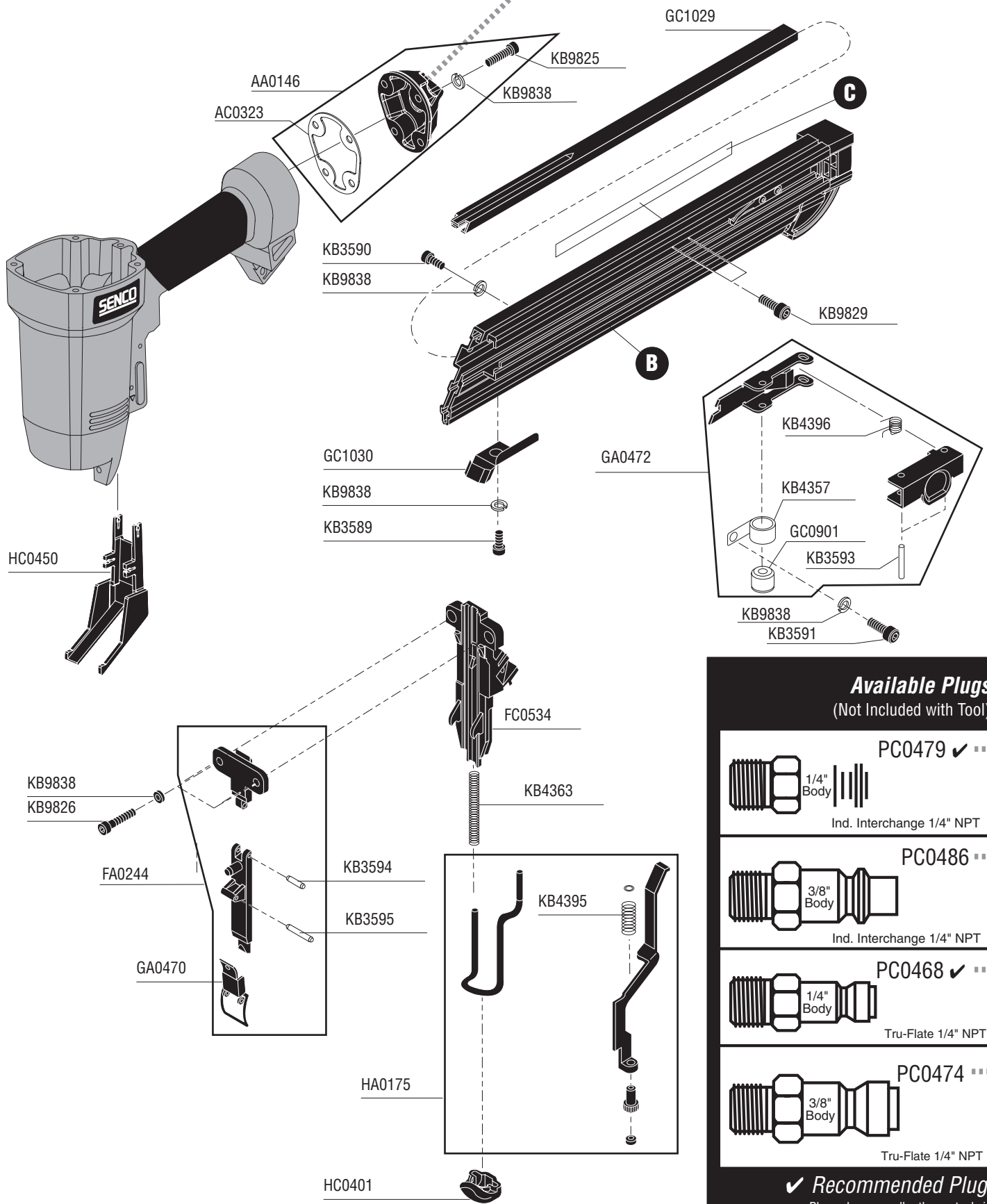
Tool #	Model
1Y0001N	Contact Actuation
1Y0002N	Single Sequential
1Y2001N	Contact Actuation
1Y2002N	Single Sequential
1Y3001N	Contact Actuation
1Y3002N	Single Sequential



Tool #	Model	A	B	C
1Y0001N	Contact Actuation	HA0159	GA0471	HG0180
1Y0002N	Single Sequential	HA0174	GA0471	HG0180
1Y2001N	Contact Actuation	HB0303	GA0473	HG0181
1Y2002N	Single Sequential	HA0174	GA0473	HG0181
1Y3001N	Contact Actuation	HB0303	GA0471	HG0180
1Y3002N	Single Sequential	HA0174	GA0471	HG0180

FinishPro[®] 35


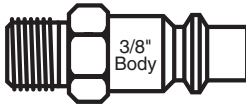
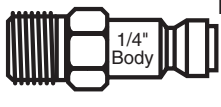
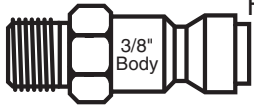
SENCO[®]



NFG01Y Revised March 28, 2007 (Replaces 2/6/06) © 2002, 2007 by SENC0 Products, Inc. Cincinnati, Ohio 45244 - U.S.A.

Available Plugs

(Not Included with Tool)

	PC0479 ✓
1/4" Body	
Ind. Interchange 1/4" NPT	
	PC0486
3/8" Body	
Ind. Interchange 1/4" NPT	
	PC0468 ✓
1/4" Body	
Tru-Flate 1/4" NPT	
	PC0474
3/8" Body	
Tru-Flate 1/4" NPT	

✓ **Recommended Plugs**
Plugs shown smaller than actual size

FinishPro® 35 15ga. Angled Finish Nailer

REPLACEMENT PARTS LIST • LISTA DE PARTES DE REPUESTO • ERSATSTEILE-LISTE • LISTE DE PIÈCES DE RECHANGE

PART NO.	DESCRIPTION	DESCRIPCIÓN	BESCHREIBUNG	DÉSIGNATION
AA0145	CAP ASSEMBLY.....	ASAMBLE DE TAPA.....	KAPPE-ZUSAMMENBAU.....	ENSEMBLE BOUCHON
AA0146	END CAP ASSEMBLY.....	ASAMBLE DE TAPA TERMINAL.....	ABSCHLUßKAPPE-ZUSAMMENBAU.....	BOUCHON D'EXTRÉMITÉ DE RAIL
AC0298	SEAL.....	SELLO.....	DICHTUNG.....	JOINT
AC0323	SEAL.....	SELLO.....	DICHTUNG.....	JOINT
BA0163	DEFLECTOR ASSEMBLY.....	ASAMBLE DE DESVIADOR.....	ABWEISER-ZUSAMMENBAU.....	ENSEMBLE DÉFLECTEUR
BA0164	FIRING VALVE ASSEMBLY.....	ASAMBLE DE VÁLVULA.....	VENTIL-ZUSAMMENBAU.....	ENSEMBLE VALVE
BA0165	CYLINDER ASSEMBLY.....	ASAMBLE DE CILINDRO.....	ZYLINDER-ZUSAMMENBAU.....	ENSEMBLE CYLINDRE
BC0467	MUFFLER.....	SILENCIADOR.....	DAMPFER.....	SILENCIEUX
BC0472	SEAL.....	SELLO.....	DICHTUNG.....	JOINT
BC0473	SEAL.....	SELLO.....	DICHTUNG.....	JOINT
BC0475	WASHER.....	ARANDELA.....	SCHEIBE.....	RONDELLE
BC0476	RETAINER.....	JUNTA TÓRICA.....	SICHERUNGSRING.....	RETENUE
BC0492	WASHER.....	ARANDELA.....	SCHEIBE.....	RONDELLE
BC0493	BUMPER.....	AMORTIGUADOR.....	PUFFER.....	AMORTISSEUR
CB0038	TRIGGER VALVE ASSEMBLY.....	ASAMBLE DE VÁLVULA.....	VENTIL-ZUSAMMENBAU.....	VALVE D'ASSEMBLÉE
EA0167	PISTON ASSEMBLY.....	ASAMBLE DE PISTON.....	KOLBEN-ZUSAMMENBAU.....	ENSEMBLE PISTON-COUTEAU
FA0244	GUIDE BODY ASSEMBLY.....	ASAMBLE DE PLACA DE NARIZ.....	NAGELFÜHRUNG-ZUSAMMENBAU.....	ENSEMBLE FRONT
FC0534	GUIDE.....	GUÍA.....	FÜHRUNG.....	GUIDE
GA0470	LATCH ASSEMBLY.....	ASAMBLE DE UÑETA.....	FÜHRUNG-ZUSAMMENBAU.....	ENSEMBLE GUIDE
GA0471	MAGAZINE (US).....	CARGADOR.....	MAGAZIN.....	MAGASIN
GA0472	FEEDER SHOE ASSEMBLY.....	ASAMBLE DE ALIMENTADOR.....	NAGELSCHIEBER-ZUSAMMENBAU.....	ENSEMBLE POUSSOIR
GA0473	MAGAZINE (EURO).....	CARGADOR.....	MAGAZIN.....	MAGASIN
GC0901	GUIDE.....	GUÍA.....	FÜHRUNG.....	GUIDE
GC0902	RETAINER.....	JUNTA TÓRICA.....	SICHERUNGSRING.....	RETENUE
GC1029	RAIL.....	CARRIL.....	SCHIENE.....	RAIL
GC1030	COVER.....	CUBIERTA.....	ABDECKUNG.....	COUVERCLE
HA0159	TRIGGER VALVE ASSEMBLY.....	ASAMBLE DE VÁLVULA.....	VENTIL-ZUSAMMENBAU.....	VALVE D'ASSEMBLÉE
HA0174	TRIGGER ASSY, Single Seq.....	ASAMBLE DE GATILLO.....	AUSLÖSER-ZUSAMMENBAU.....	ENSEMBLE GÂCHETTE
HA0175	SAFETY ELEMENT ASSEMBLY.....	ASAMBLE DE SEGURO.....	SICHERHEITSVORRICHTUNG-ZUSAMMENBAU.....	ENSEMBLE PALPEUR DE SÉCURITÉ
HB0303	TRIGGER ASSY, Contact Act.....	ASAMBLE DE GATILLO.....	AUSLÖSER-ZUSAMMENBAU.....	ENSEMBLE GÂCHETTE
HC0401	NO-MAR PAD.....	AMORTIGUADOR.....	SCHUTZ.....	COUSSIN
HC0448	PIN.....	PASADOR.....	STIFT.....	GOUPILLE
HC0449	PIN.....	PASADOR.....	STIFT.....	GOUPILLE
HC0450	GUIDE.....	GUÍA.....	FÜHRUNG.....	GUIDE
HG0180	LABEL (US).....	ETIQUETA.....	AUFKLEBER.....	ÉTIQUETTE
HG0181	LABEL (EURO).....	ETIQUETA.....	AUFKLEBER.....	ÉTIQUETTE
KB3589	SCREW.....	TORNILLO.....	SCHRAUBE.....	VIS
KB3590	SCREW.....	TORNILLO.....	SCHRAUBE.....	VIS
KB3591	SCREW.....	TORNILLO.....	SCHRAUBE.....	VIS
KB3593	PIN.....	PASADOR.....	STIFT.....	GOUPILLE
KB3594	PIN.....	PASADOR.....	STIFT.....	GOUPILLE
KB3595	PIN.....	PASADOR.....	STIFT.....	GOUPILLE
KB4357	SPRING.....	RESORTE.....	FEDER.....	RESSORT
KB4359	SPRING.....	RESORTE.....	FEDER.....	RESSORT
KB4363	SPRING.....	RESORTE.....	FEDER.....	RESSORT
KB4395	SPRING.....	RESORTE.....	FEDER.....	RESSORT
KB4396	SPRING.....	RESORTE.....	FEDER.....	RESSORT
KB9825	SCREW.....	TORNILLO.....	SCHRAUBE.....	VIS
KB9826	SCREW.....	TORNILLO.....	SCHRAUBE.....	VIS
KB9829	SCREW.....	TORNILLO.....	SCHRAUBE.....	VIS
KB9831	SCREW.....	TORNILLO.....	SCHRAUBE.....	VIS
KB9837	NUT.....	TUERCA.....	MUTTER.....	ÉCROU
KB9838	WASHER.....	ARANDELA.....	SCHEIBE.....	RONDELLE
KB9911	WASHER.....	ARANDELA.....	SCHEIBE.....	RONDELLE
LB0997	SEAL.....	SELLO.....	DICHTUNG.....	JOINT
LB0998	SEAL.....	SELLO.....	DICHTUNG.....	JOINT
LB1001	SEAL.....	SELLO.....	DICHTUNG.....	JOINT
LB1003	SEAL.....	SELLO.....	DICHTUNG.....	JOINT
LB1023	SEAL.....	SELLO.....	DICHTUNG.....	JOINT
LB1024	SEAL.....	SELLO.....	DICHTUNG.....	JOINT