

SENCO®

FinishPro® 18

18 ga. Brad Nailer

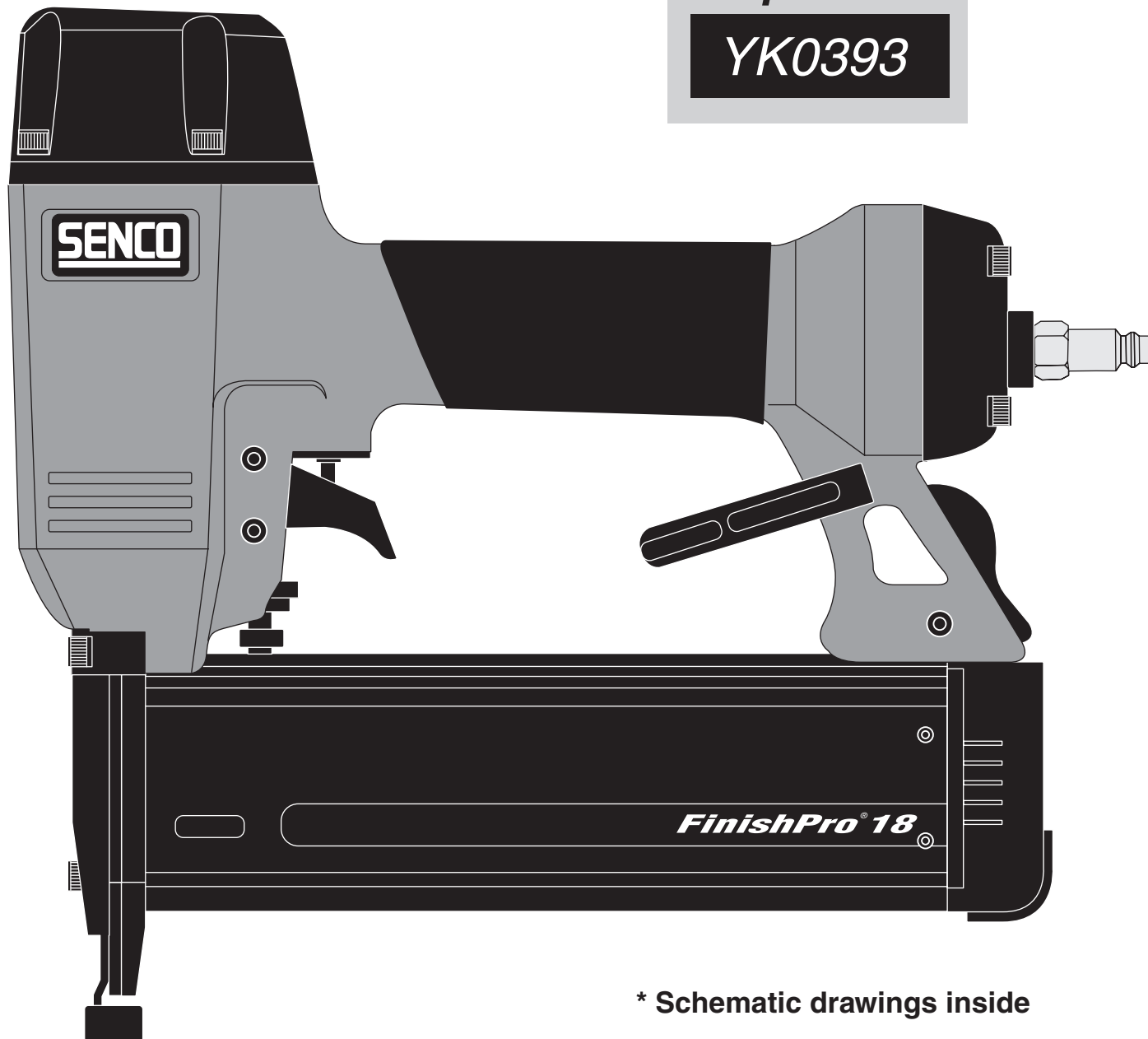


Parts Reference Guide



Repair Kit

YK0393

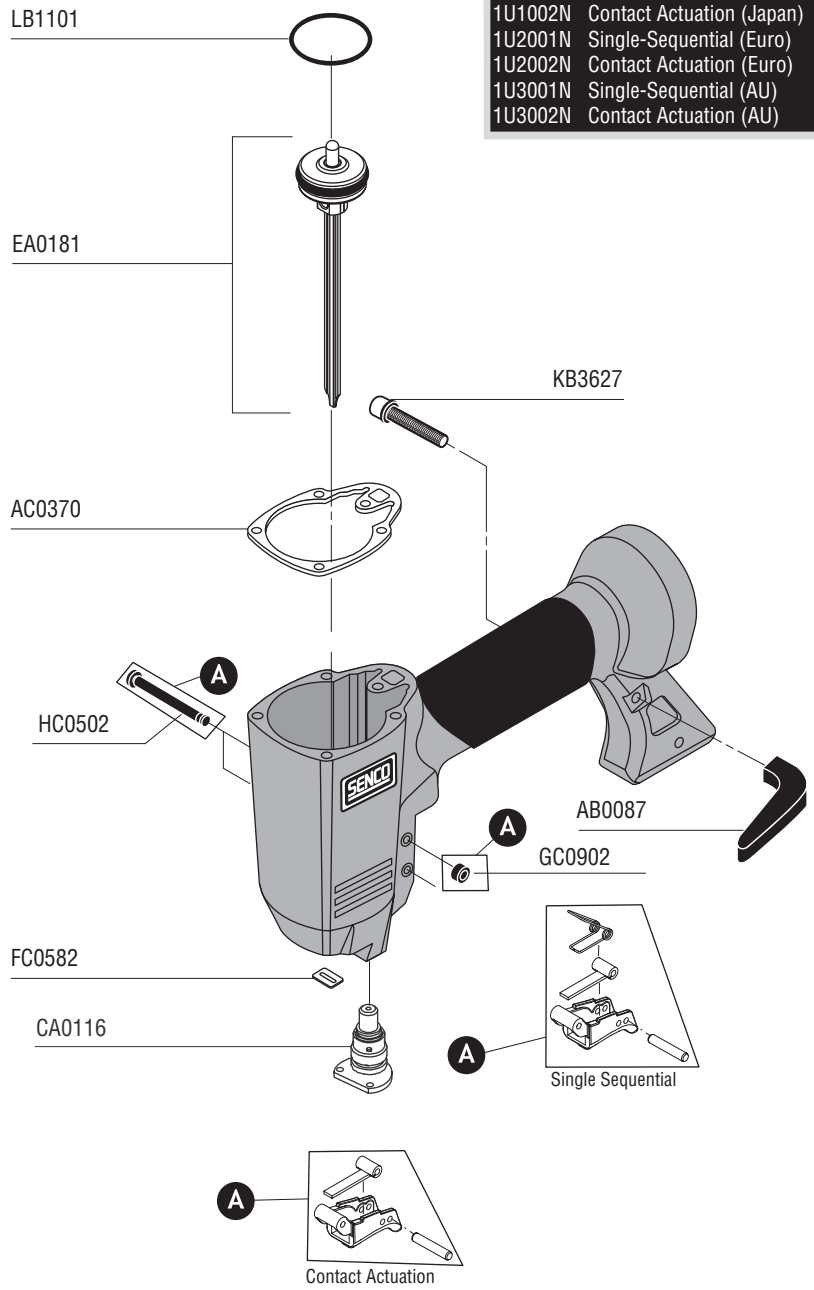
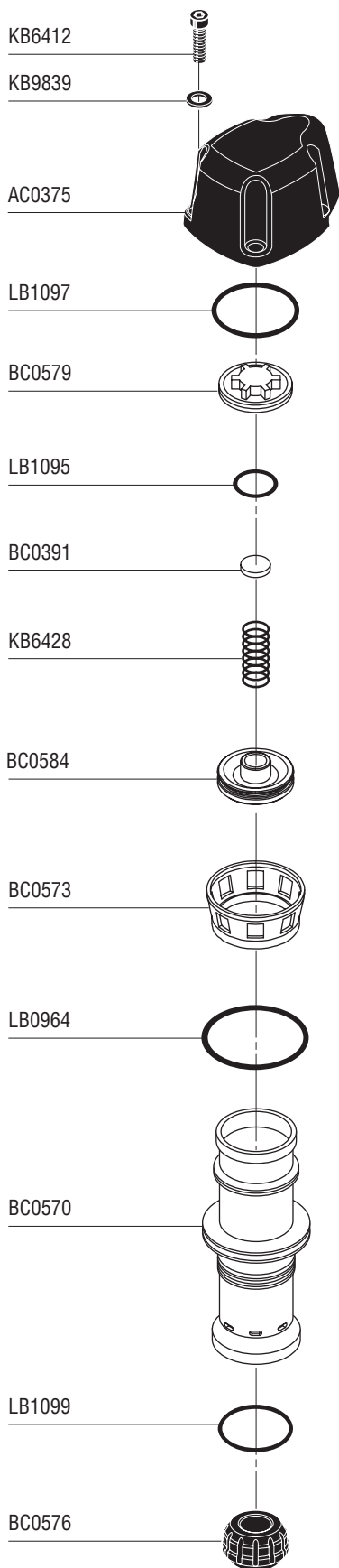


* Schematic drawings inside

*Senco Products Inc.
8485 Broadwell Road
Cincinnati, Ohio 45244*

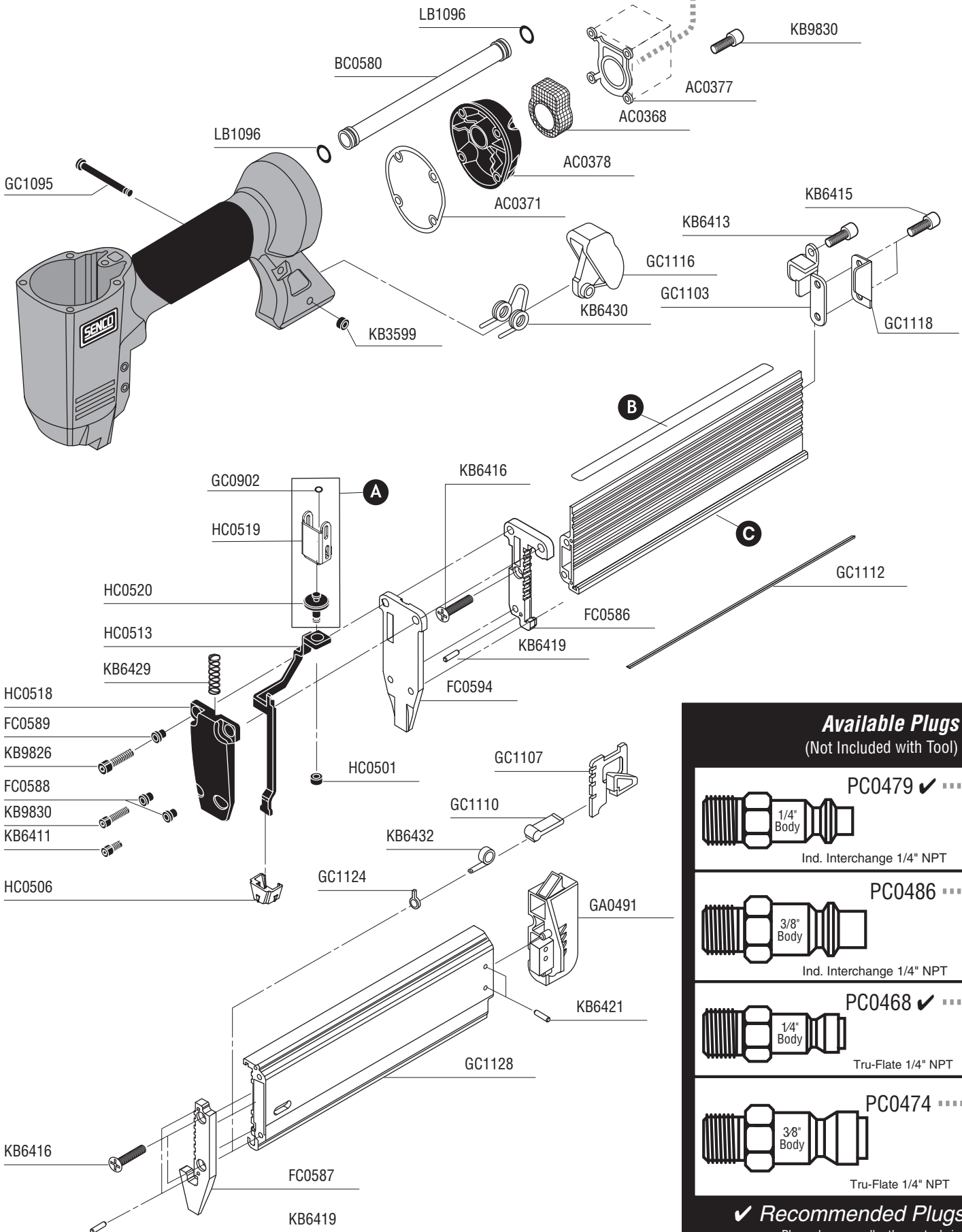
*Questions? Comments? call Senco's toll-free Action-line:
1-800-543-4596 (North and South America Only)
or e-mail: toolprof@senco.com*

Visit Our Website: www.senco.com



Tool #	Model
1U0001N	Single-Sequential (US)
1U1001N	Single-Sequential (Japan)
1U1002N	Contact Actuation (Japan)
1U2001N	Single-Sequential (Euro)
1U2002N	Contact Actuation (Euro)
1U3001N	Single-Sequential (AU)
1U3002N	Contact Actuation (AU)





Tool #	Model	A	B	C
1U0001N	Single-Sequential (US)	HA0192	HG0190	GA0495
1U1001N	Single-Sequential (Japan)	HA0192	HG0193	GA0503
1U1002N	Contact Actuation (Japan)	HA0193	HG0193	GA0503
1U2001N	Single-Sequential (Euro)	HA0192	HG0194	GA0499
1U2002N	Contact Actuation (Euro)	HA0193	HG0194	GA0499
1U3001N	Single-Sequential (AU)	HA0192	HG0190	GA0495
1U3002N	Contact Actuation (AU)	HA0193	HG0190	GA0495



NFG01U Revised July 26, 2007 (Replaces 7/7/06) © 2002, 2007 by SENCO Products, Inc. Cincinnati, Ohio 45244 - U.S.A.

Available Plugs

(Not Included with Tool)

	PC0479 ✓
1/4" Body	
Ind. Interchange 1/4" NPT	
	PC0486
3/8" Body	
Ind. Interchange 1/4" NPT	
	PC0468 ✓
1/4" Body	
Tru-Flate 1/4" NPT	
	PC0474
3/8" Body	
Tru-Flate 1/4" NPT	

✓ **Recommended Plugs**
Plugs shown smaller than actual size

FinishPro® 18 18 ga. Brad Nailer

REPLACEMENT PARTS LIST • LISTA DE PARTES DE REPUESTO • ERSATZTEILE-LISTE • LISTE DE PIÈCES DE RECHANGE

PART NO.	DESCRIPTION	DESCRIPCIÓN	BESCHREIBUNG	DÉSIGNATION
AB0087	BELT HOOK	GANCHO DE CINTURÓN	GURTHAKEN	CROCHET DE CEINTURE
AC0368	MUFFLER	SILENCIADOR	DÄMPFER	SILENCIEUX
AC0370	SEAL	SELLO	DICHTUNG	JOINT
AC0371	SEAL	SELLO	DICHTUNG	JOINT
AC0375	CYLINDER CAP	TAPA	KAPPE	BOUCHON
AC0377	COVER	CUBIERTA	ABDECKUNG	COUVERCLE
AC0378	COVER	CUBIERTA	ABDECKUNG	COUVERCLE
BC0391	SEAL	SELLO	DICHTUNG	JOINT
BC0570	CYLINDER	CILINDRO	ZYLINDER	CYLINDRE
BC0573	RETAINER	JUNTA TÓRICA	SICHERUNGSRING	RETENUE
BC0576	BUMPER	AMORTIGUADOR	PUFFER	AMORTISSEUR
BC0579	EXHAUST VALVE SITE	ASAMBLE DE VÁLVULA	VENTIL-ZUSAMMENBAU	VALVE D'ASSEMBLÉE
BC0580	TUBE	TUBO	ROHR	TUBE
BC0584	PISTON ASSEMBLY	ASAMBLE DE PISTON	KOLBEN-ZUSAMMENBAU	ENSEMBLE PISTON-COUREAU
CA0116	REMOTE VALVE ASSY	ASAMBLE DE VÁLVULA	VENTIL-ZUSAMMENBAU	VALVE D'ASSEMBLÉE1
EA0181	PISTON ASSEMBLY	ASAMBLE DE PISTON	KOLBEN-ZUSAMMENBAU	ENSEMBLE PISTON-COUREAU
FC0582	WASHER	ARANDELA	SCHEIBE	RONDELLE
FC0586	PLATE	PLACA	PLATTE	PLAQUE
FC0587	PLATE	PLACA	PLATTE	PLAQUE
FC0588	INSERT	ACOPLAMIENTO	EINSATZ	INSERT
FC0589	INSERT	ACOPLAMIENTO	EINSATZ	INSERT
FC0594	GUIDE	GUÍA	FÜHRUNG	GUIDE
GA0491	COVER	CUBIERTA	ABDECKUNG	COUVERCLE
GA0495	MAGAZINE ASSEMBLY (US)	ASAMBLE DE CARGADOR	MAGAZIN-ZUSAMMENBAU	ENSEMBLE MAGASIN
GA0499	MAGAZINE ASSEMBLY (EU)	ASAMBLE DE CARGADOR	MAGAZIN-ZUSAMMENBAU	ENSEMBLE MAGASIN
GA0503	MAGAZINE ASSEMBLY (JAPAN)	ASAMBLE DE CARGADOR	MAGAZIN-ZUSAMMENBAU	ENSEMBLE MAGASIN
GC0902	RETAINER	JUNTA TÓRICA	SICHERUNGSRING	RETENUE
GC1095	PIN	PASADOR	STIFT	GOUPILLE
GC1103	MAGAZINE SUPPORT	SOPORTE	HALTERUNG	CAVALIER
GC1107	FEEDER SHOE	ALIMENTADOR	NAGELSCHIEBER	POUSSOIR
GC1110	PLATE	PLACA	PLATTE	PLAQUE
GC1112	WEAR STRIP	CARRIL	SCHIENE	RAIL
GC1116	LATCH	UÑETA	VERSCHLUSS	DOIGT DE RETENUE
GC1118	MAGAZINE SUPPORT	SOPORTE	HALTERUNG	CAVALIER
GC1124	RETAINER	JUNTA TÓRICA	SICHERUNGSRING	RETENUE
GC1128	UPPER MAGAZINE	CARGADOR	MAGAZIN	MAGASIN
HA0192	TRIGGER ASSY. (Single Sequential)	ASAMBLE DE GATILLO	AUSLÖSER	ENSEMBLE GÂCHETTE
HA0193	TRIGGER ASSY. (Contact Actuation)	ASAMBLE DE GATILLO	AUSLÖSER	ENSEMBLE GÂCHETTE
HC0501	SHAFT RING	ANILLO	REIFEN	ANNEAU
HC0502	PIN	PASADOR	STIFT	GOUPILLE
HC0506	NO-MAR PAD	AMORTIGUADOR	SCHUTZ	COUSSIN
HC0513	SAFETY ELEMENT	ASAMBLE DE SEGURO	SICHERHEITSVORRICHTUNG	PALPEUR DE SÉCURITÉ
HC0518	COVER	CUBIERTA	ABDECKUNG	COUVERCLE
HC0519	PLATE	PLACA	PLATTE	PLAQUE
HC0520	SAFETY ADJUSTMENT WHEEL	MANIVELA	RÄNDELSCHRAUBE	MOLETTE
HG0190	LABEL (US)	ETIQUETA	AUFKLEBER	ÉTIQUETTE
HG0193	LABEL (JAPAN)	ETIQUETA	AUFKLEBER	ÉTIQUETTE
HG0194	LABEL (EU)	ETIQUETA	AUFKLEBER	ÉTIQUETTE
KB3599	RETAINER	JUNTA TÓRICA	SICHERUNGSRING	RETENUE
KB3627	SCREW W/ WASHER	TORNILLO / ARANDELA	SCHRAUBE / SCHEIBE	VIS / RONDELLE
KB6411	SCREW	TORNILLO	SCHRAUBE	VIS
KB6412	SCREW	TORNILLO	SCHRAUBE	VIS
KB6413	SCREW	TORNILLO	SCHRAUBE	VIS
KB6415	SCREW	TORNILLO	SCHRAUBE	VIS
KB6416	SCREW	TORNILLO	SCHRAUBE	VIS
KB6419	PIN	PASADOR	STIFT	GOUPILLE
KB6421	PIN	PASADOR	STIFT	GOUPILLE
KB6428	SPRING	RESORTE	FEDER	RESSORT
KB6429	SPRING	RESORTE	FEDER	RESSORT
KB6430	SPRING	RESORTE	FEDER	RESSORT
KB6432	SPRING	RESORTE	FEDER	RESSORT
KB9826	SCREW	TORNILLO	SCHRAUBE	VIS
KB9830	SCREW	TORNILLO	SCHRAUBE	VIS
KB9839	WASHER	ARANDELA	SCHEIBE	RONDELLE
LB0964	SEAL	SELLO	DICHTUNG	JOINT
LB1095	SEAL	SELLO	DICHTUNG	JOINT
LB1096	SEAL	SELLO	DICHTUNG	JOINT
LB1097	SEAL	SELLO	DICHTUNG	JOINT
LB1099	SEAL	SELLO	DICHTUNG	JOINT
LB1101	SEAL	SELLO	DICHTUNG	JOINT