



DuraSpin[®]

Screw Fastening System



Parts Reference Guide



* Schematic Drawings inside

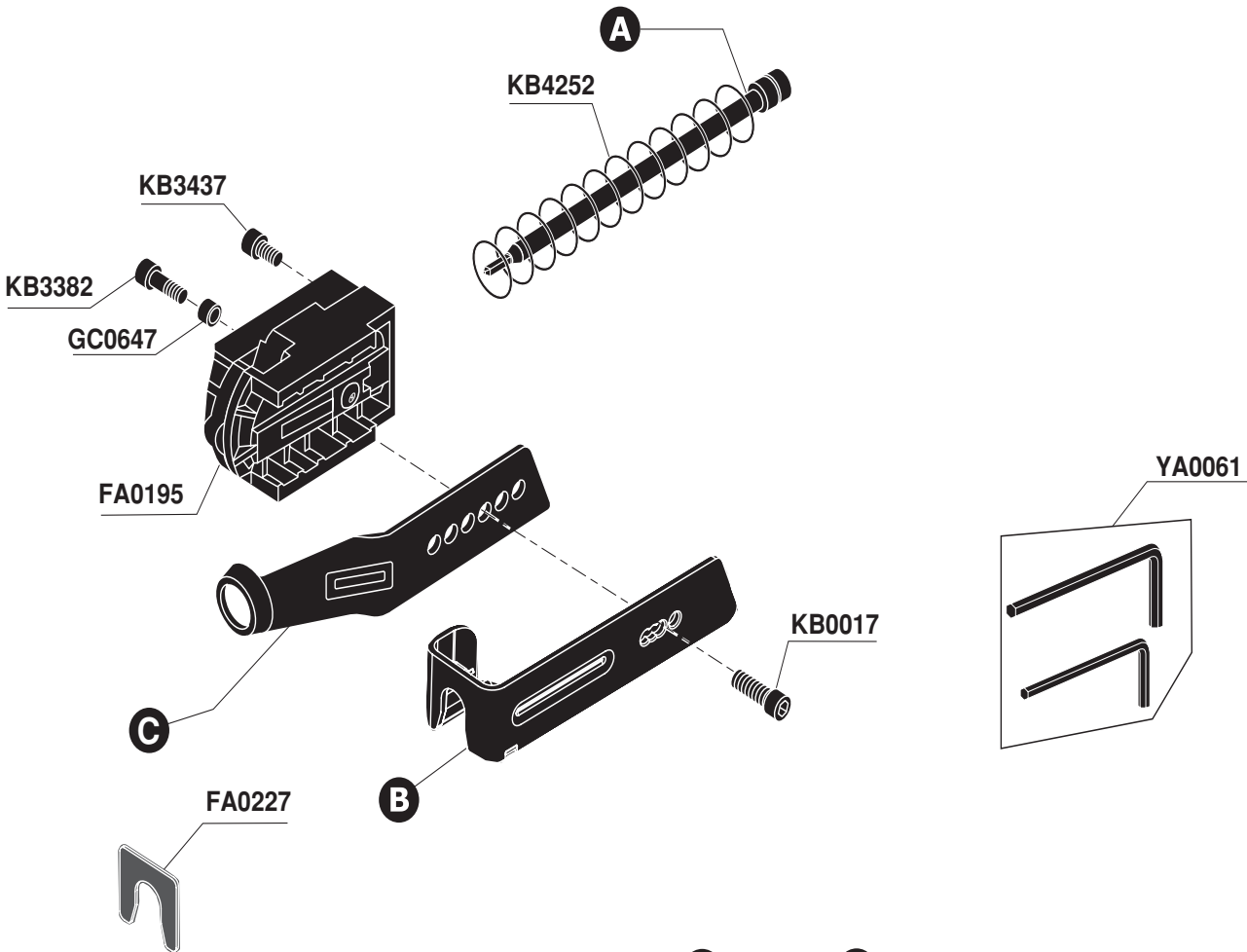
DS200-AC

Senco Products Inc.
8485 Broadwell Road
Cincinnati, Ohio 45244

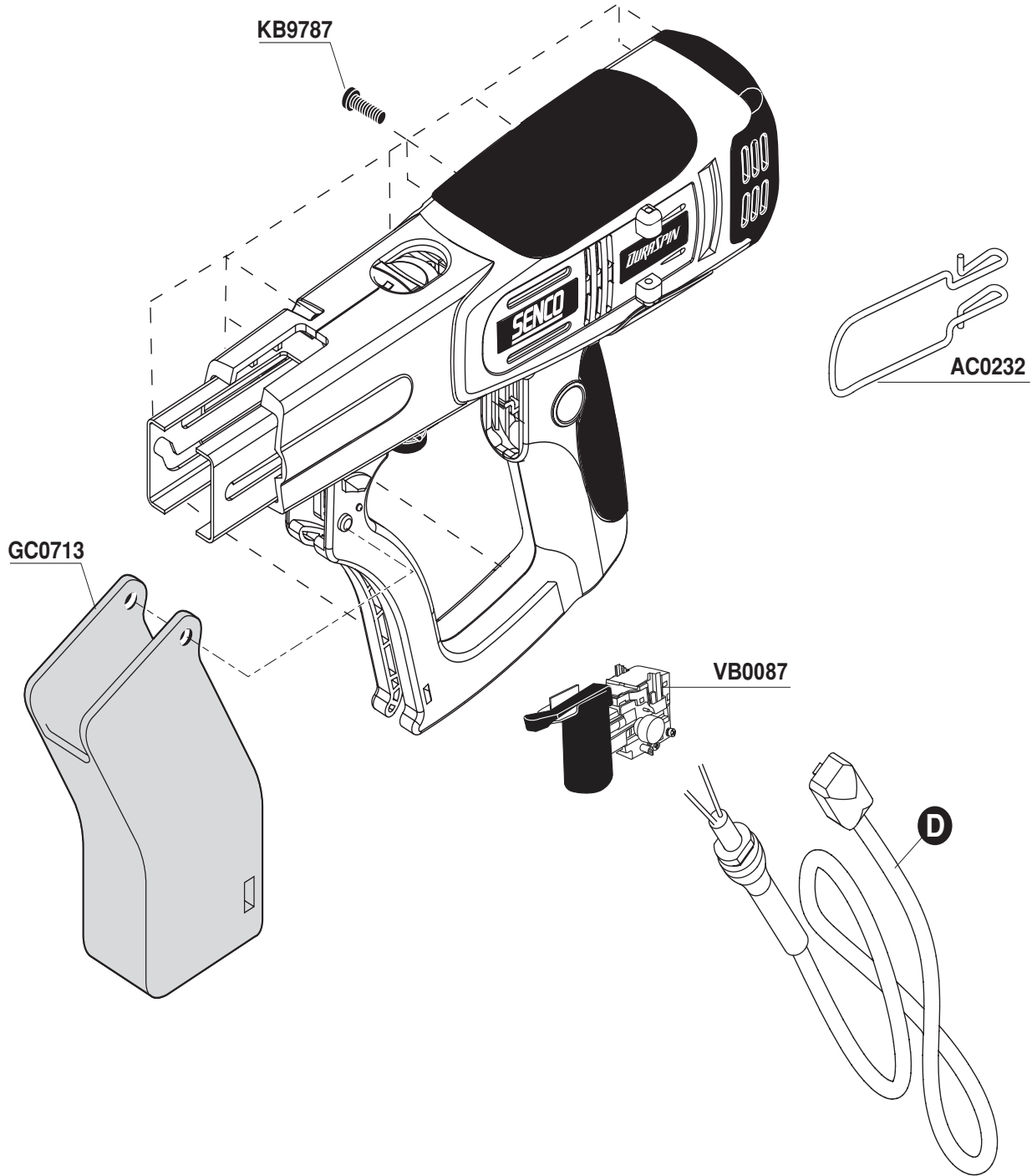
Questions? Comments? call Senco's toll-free Action-line:
1-800-543-4596 (North and South America Only)
or e-mail: toolprof@senco.com

Visit Our Website: www.senco.com

| Bits | | A |
|-----------------|--------|----------|
| Phillips Driver | EA0122 | |
| Square | EA0123 | |



| Nosepiece | | B | C | D |
|-----------|---------------|---------------|--------------------|----------|
| Model | | Wood (Square) | Drywall (Phillips) | |
| 1R0001N | DS200-AC US | FA0211 | FA0198 | VB0045 |
| 1R2001N | DS200-AC EURO | FA0218 | FA0205 | VB0046 |
| 1R3001N | DS200-AC AU | FA0218 | FA0205 | VB0047 |
| 1R7001N | DS200-AC UK | FA0218 | FA0205 | VB0049 |
| 1R7002N | DS200-AC UK | FA0218 | FA0205 | VB0053 |



DuraSpin® DS200-AC

REPLACEMENT PARTS LIST • LISTA DE PARTES DE REPUESTO • ERSATSTEILE-LISTE • LISTE DE PIÈCES DE RECHANGE

| PART NO. | DESCRIPTION | DESCRIPCIÓN | BESCHREIBUNG | DÉSIGNATION |
|----------|---------------------------|-------------------------------|------------------------|---------------------------|
| AC0232 | BELT HOOK | GANCHO DE CINTURÓN | GURTHAKEN | CROCHET DE CEINTURE |
| EA0122 | SCREW BIT (Phillips No.2) | BROCA DE TORNILLO | SCHRAUBENDREHERBIT | BROCHE À VIS |
| EA0123 | SCREW BIT (Square No.2) | BROCA DE TORNILLO | SCHRAUBENDREHERBIT | BROCHE À VIS |
| FA0195 | SLIDE BODY ASSEMBLY | CONJUNTO DE CUERPO DESLIZANTE | BAUGRUPPE GLEITGEHÄUSE | ASSEMBLAGE BLOC GLISSIERE |
| FA0198 | NOSE PIECE (US) | PIEZA DE LA BOCA (AMERICANA) | NASENSTÜCK (US) | EMBOUT (US) |
| FA0205 | NOSE PIECE (METRIC) | PIEZA DE LA BOCA (METRICA) | NASENSTÜCK (METRISCH) | EMBOUT (SYSTÈME MÉTRIQUE) |
| FA0211 | NOSE PIECE (WOOD)(US) | PIEZA DE LA BOCA (AMERICANA) | NASENSTÜCK (US) | EMBOUT (US) |
| FA0218 | NOSE PIECE (WOOD)(METRIC) | PIEZA DE LA BOCA (METRICA) | NASENSTÜCK (METRISCH) | EMBOUT (SYSTÈME MÉTRIQUE) |
| FA0227 | NON-SKID PAD | ANTIDESLIZANTE PISTA | GLEITSICHERE AUFLAGE | ANTIDÉRAPANTE GARNITURE |
| GC0647 | ROLLER | RODILLO | ROLLE | GALET |
| GC0713 | STRIP GUIDE COVER | CUBIERTA | ABDECKUNG | COUVERCLE |
| KB0017 | SCREW | TORNILLO | SCHRAUBE | VIS |
| KB3382 | SCREW | TORNILLO | SCHRAUBE | VIS |
| KB3437 | SCREW | TORNILLO | SCHRAUBE | VIS |
| KB4252 | RETURN SPRING | MUELLE | FEDER | RESSORT |
| KB9787 | SCREW | TORNILLO | SCHRAUBE | VIS |
| VB0045 | ELECTRIC CORD (US) | CUERDA ELÉTRICA | ELEKTRISCHES NETZKABEL | CORDE ÉLECTRIQUE |
| VB0046 | ELECTRIC CORD (EURO) | CUERDA ELÉTRICA | ELEKTRISCHES NETZKABEL | CORDE ÉLECTRIQUE |
| VB0047 | ELECTRIC CORD (AUSTRALIA) | CUERDA ELÉTRICA | ELEKTRISCHES NETZKABEL | CORDE ÉLECTRIQUE |
| VB0087 | TRIGGER ASSEMBLY | ASAMBLE DE GATILLO | AUSLÖSER-ZUSAMMENBAU | GACHETTED' ASSEMBLÉE |
| VB0049 | ELECTRIC CORD (UK) | CUERDA ELÉTRICA | ELEKTRISCHES NETZKABEL | CORDE ÉLECTRIQUE |
| VB0053 | ELECTRIC CORD (UK) (110) | CUERDA ELÉTRICA | ELEKTRISCHES NETZKABEL | CORDE ÉLECTRIQUE |
| YA0061 | WRENCH KIT | CONJUNTO | EINBAUSATZ | KIT |