

Cordless Finish 41

15 ga. Finish Nailer



Parts Reference Guide



*** Schematic drawings inside**

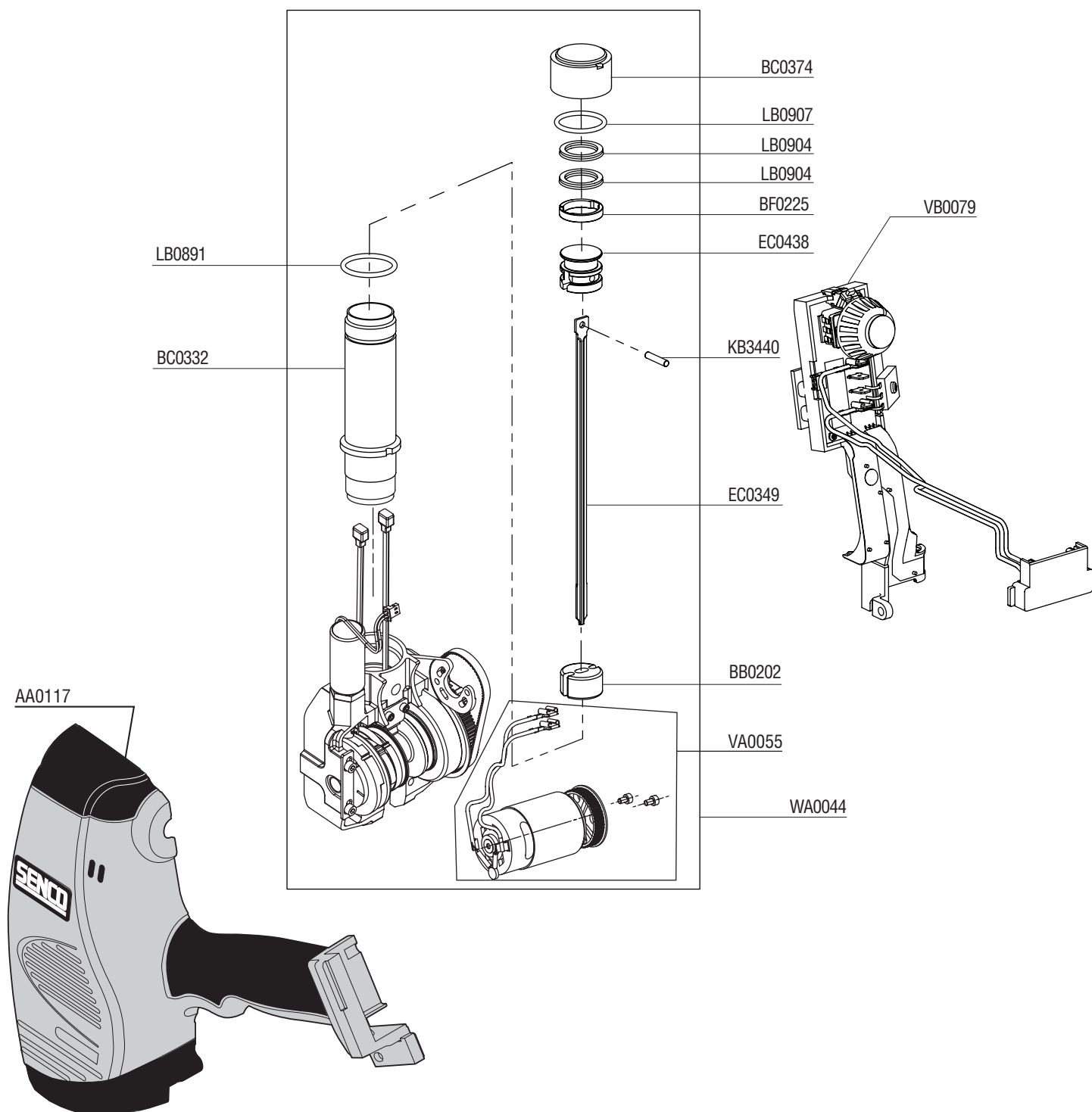
SENCO PRODUCTS, INC.
8485 Broadwell Rd.
Cincinnati, Ohio 45244
www.senco.com

Questions? Comments? call SENCO's toll-free Action-line:
1-800-543-4596 (North & South America only)
or e-mail: toolprof@senco.com

Cordless Finish 41

SENCO®

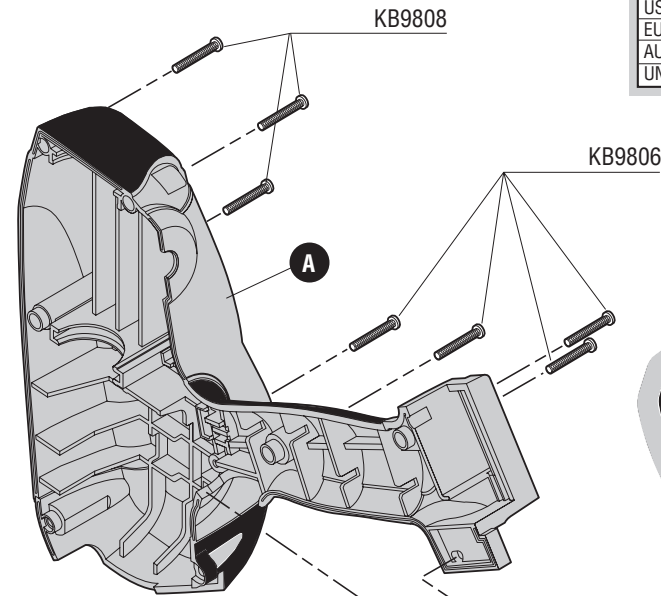
	Model
US/ S.AMERICA	980002N
EURO	982002N
AUSTRALIA	983002N
UNITED KINGDOM	987002N



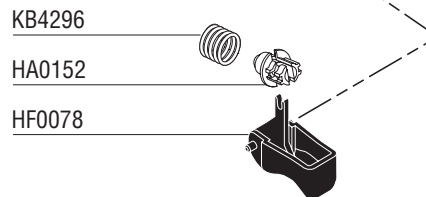
Cordless Finish 41

SENCO®

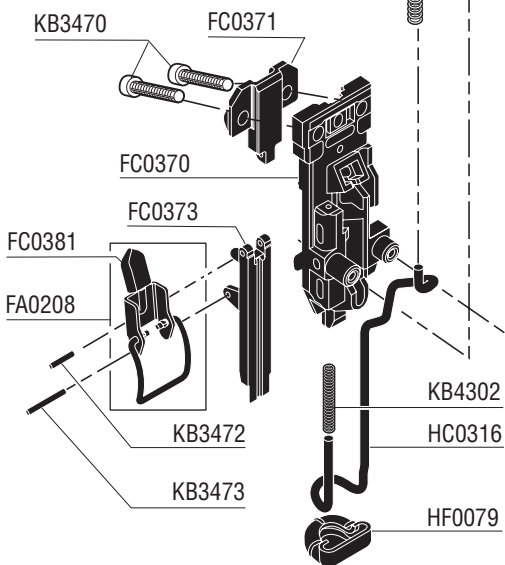
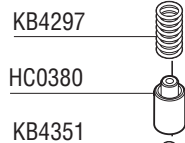
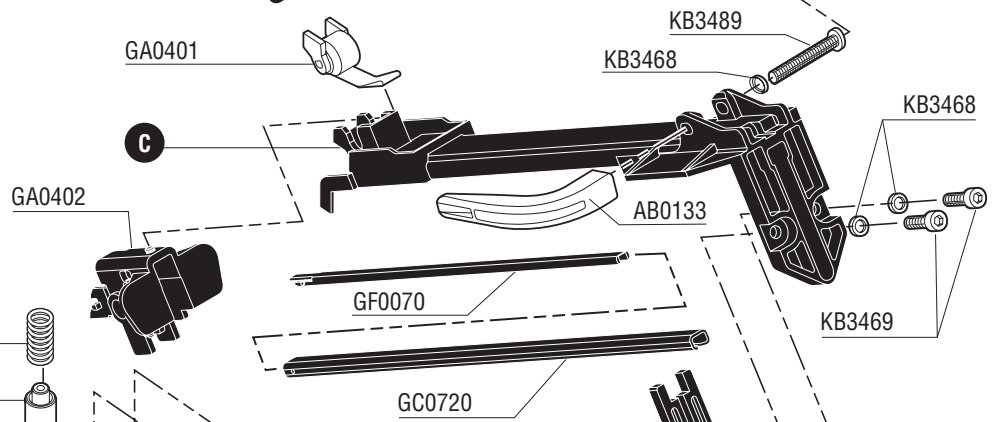
Body Half	A
US/ S.AMERICA	AA0116
EURO	AA0122
AUSTRALIA	AA0122
UNITED KINGDOM	AA0122



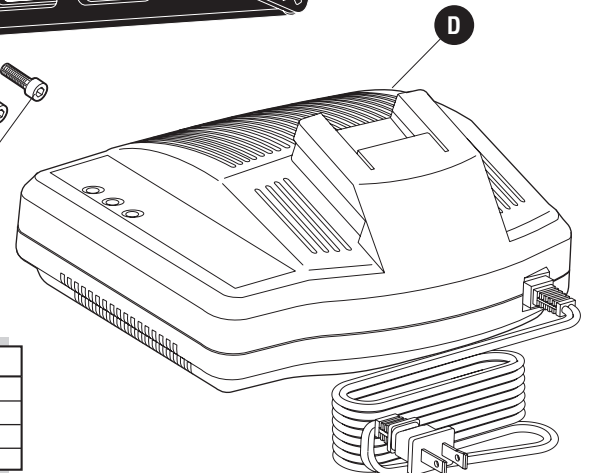
Battery	B
US/ S.AMERICA	VB0023
EURO	VB0034
AUSTRALIA	VB0034
UNITED KINGDOM	VB0034



Magazine	C
US/ S.AMERICA	GB0471
EURO	GB0479
AUSTRALIA	GB0479
UNITED KINGDOM	GB0479



Charger	D
US/ S.AMERICA	VB0002
EURO	VB0026
AUSTRALIA	VB0028
UNITED KINGDOM	VB0029



Cordless Finish 41

REPLACEMENT PARTS LIST • LISTA DE PARTES DE REPUESTO • ERSATZTEILE-LISTE • LISTE DE PIÈCES DE RECHANGE

PART NO.	DESCRIPTION	DESCRIPCIÓN	BESCHREIBUNG	DÉSIGNATION
AA0116	BODY, RIGHT HALF (US / S AMER.)	CARCASA	GEHÄUSE	CORPS
AA0117	BODY, LEFT HALF	CARCASA	GEHÄUSE	CORPS
AA0122	BODY, RIGHT HALF (EURO/AU/UK)	CARCASA	GEHÄUSE	CORPS
AB0133	BELT HOOK	GANCHO DE CINTURÓN	GURTHAKEN	CROCHET DE CEINTURE
BB0202	STOP	TOPE	PUFFER	ARRÊT
BC0332	CYLINDER	CILINDRO	ZYLINDER	CYLINDRE
BC0374	CAP	TAPA	KAPPE	BOUCHON
BF0225	GUIDE RING	CASQUILLO	HÜLSE	DOUILLE
EC0349	DRIVER	PERCUSOR	TREIBER	COUTEAU
EC0438	PISTON	PISTON	KOLBEN	PISTON
FA0208	LATCH	UÑETA	VERSCHLUSS	DOIGT DE RETENUE
FC0370	BACKPLATE	PLACA	PLATTE	PLAQUE
FC0371	PLATE, TOP FRONT	PLACA	PLATTE	PLAQUE
FC0373	PLATE, BOTTOM FRONT	PLACA	PLATTE	PLAQUE
FC0381	GRIP	AGARRADERO	GRIFF	GAINÉ EN CUIR
GA0401	SPRING, FEEDER	RESORTE	FEDER	RESSORT
GA0402	FEEDER SHOE	ALIMENTADOR	NAGELSCHIEBER	POUSSOIR
GB0471	SHROUD, MAGAZINE (US/S AMER.)	CUBIERTA	BUCHSE	CACHE
GB0479	SHROUD, MAGAZINE (EURO/AU/UK)	CUBIERTA	BUCHSE	CACHE
GB0564	RAIL, LOWER	CARRIL	SCHIENE	RAIL
GC0720	RAIL, UPPER	CARRIL	SCHIENE	RAIL
GF0070	INSERT, UPPER RAIL	ACOPLAMIENTO	EINSATZ	INSERT
HA0152	SLIDE, TRIGGER	PLACA	PLATTE	PLAQUE
HC0380	SPACER	SEPARADOR	DISTANZSTÜCK	ENTRETOISE
HC0316	SAFETY (YOKE) ELEMENT	ASAMBLE DE SEGURO	SICHERHEITSVORRICHTUNG	PALPEUR DE SÉCURITÉ
HF0078	TRIGGER	GATILLO	AUSLÖSER	GÂCHETTE
HF0079	NO-MAR PAD	AMORTIGUADOR	SCHUTZ	COUSSIN
KB3440	PIN	PASADOR	STIFT	GOUPILLE
KB3468	WASHER	ARANDELA	SCHEIBE	RONDELLE
KB3469	SCREW	TORNILLO	SCHRAUBE	VIS
KB3470	SCREW	TORNILLO	SCHRAUBE	VIS
KB3472	PIN	PASADOR	STIFT	GOUPILLE
KB3473	PIN	PASADOR	STIFT	GOUPILLE
KB3489	SCREW	TORNILLO	SCHRAUBE	VIS
KB4296	SPRING	RESORTE	FEDER	RESSORT
KB4297	SPRING	RESORTE	FEDER	RESSORT
KB4302	SPRING	RESORTE	FEDER	RESSORT
KB4351	SPRING	RESORTE	FEDER	RESSORT
KB9806	SCREW	TORNILLO	SCHRAUBE	VIS
KB9808	SCREW	TORNILLO	SCHRAUBE	VIS
LB0891	SEAL	SELLO	DICHTUNG	JOINT
LB0904	SEAL	SELLO	DICHTUNG	JOINT
LB0907	SEAL	SELLO	DICHTUNG	JOINT
VA0055	MOTOR, DRIVE	MOTOR IMPULSOR	ANTRIEBSMOTOR	MOTEUR, ENTRA
VB0002	CHARGER (US / S AMER.)	CARAGADOR	LADEGERÄT	CHARGEUR
VB0023	BATTERY (US / S AMER.)	BATERIA	BATTERIE	BATTERIE
VB0026	CHARGER (EURO)	CARAGADOR	LADEGERÄT	CHARGEUR
VB0028	CHARGER (AUSTRALIA)	CARAGADOR	LADEGERÄT	CHARGEUR
VB0029	CHARGER (U.K.)	CARAGADOR	LADEGERÄT	CHARGEUR
VB0034	BATTERY (EURO/AU/UK)	BATERIA	BATTERIE	BATTERIE
VB0079	PCB HOUSING	ALOJAMIENTO	GEHÄUSE	CORP
WA0044	CHASSIS ASY	CHASIS	GEHÄUSE	CHÂSSIS