

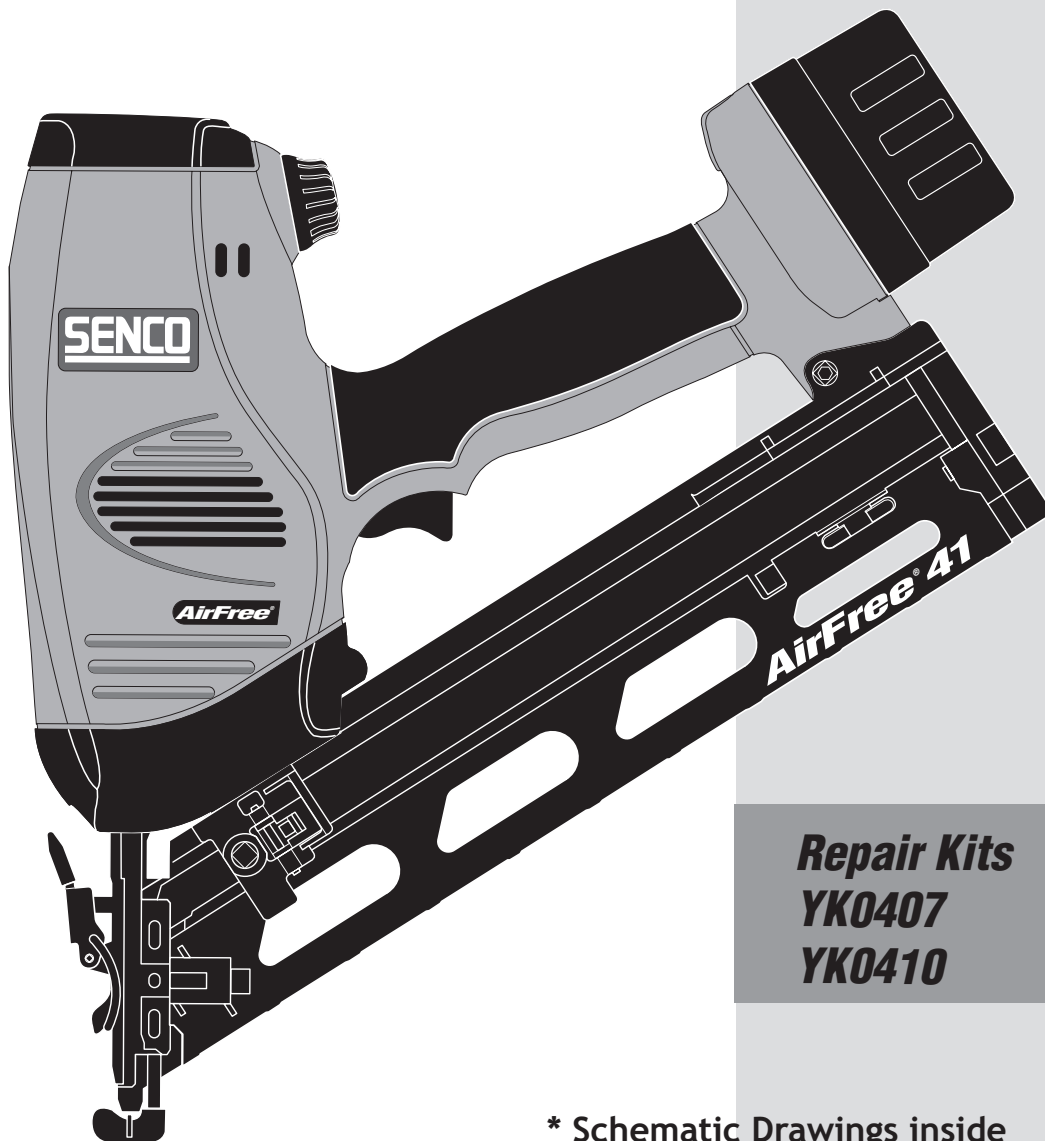


AirFree[®] 41

Cordless Finish Nailer



Parts Reference Guide



***Repair Kits
YK0407
YK0410***

*** Schematic Drawings inside**

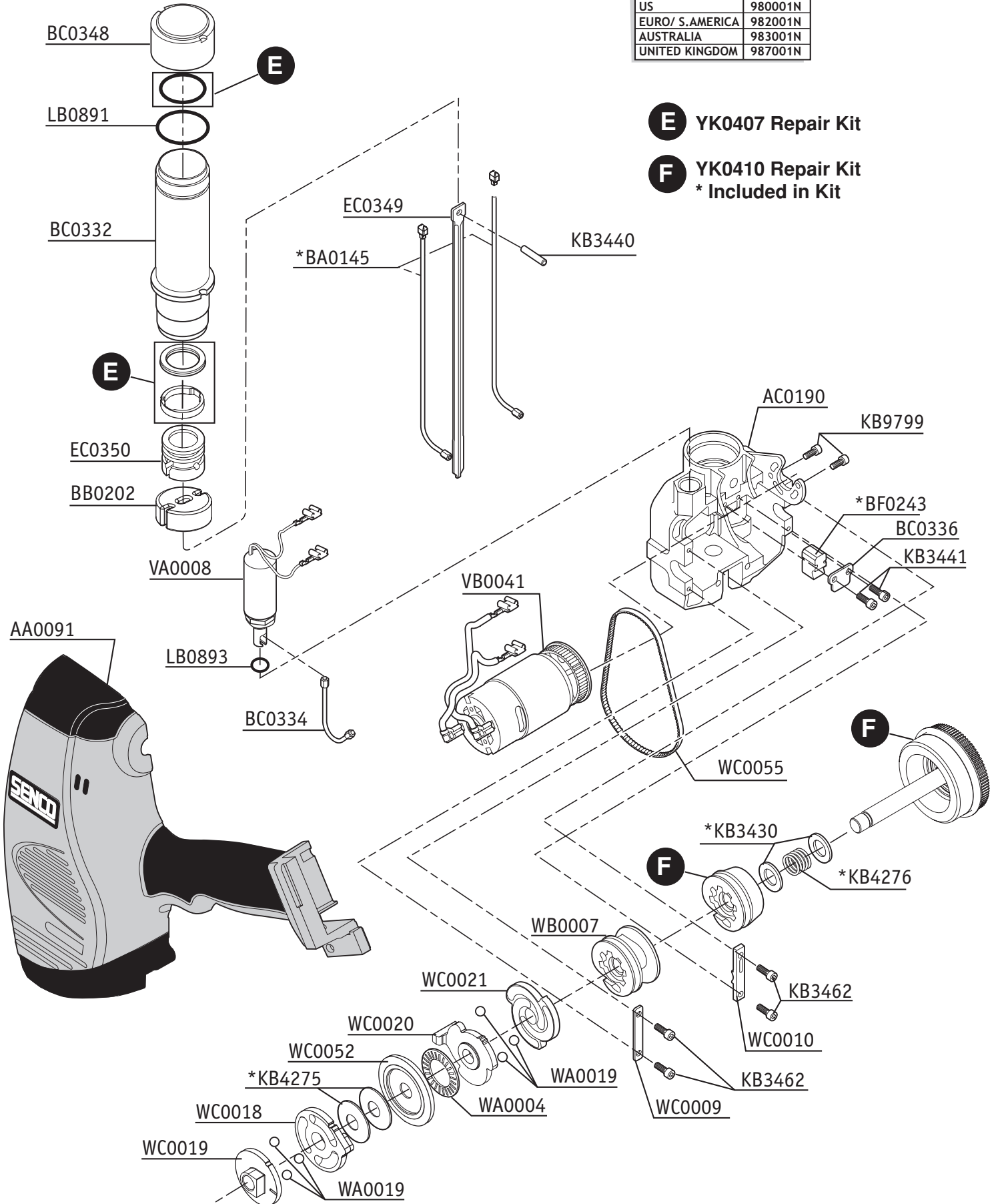
SENCO PRODUCTS, INC.
8485 BROADWELL RD.
CINCINNATI, OH 45244
www.senco.com

Questions? Comments? call SENCOS toll-free Action-line:
1-800-543-4596 (North & South America only)
or e-mail: toolprof@senco.com

AirFree® 41



	Model
US	980001N
EURO/ S.AMERICA	982001N
AUSTRALIA	983001N
UNITED KINGDOM	987001N



E YK0407 Repair Kit

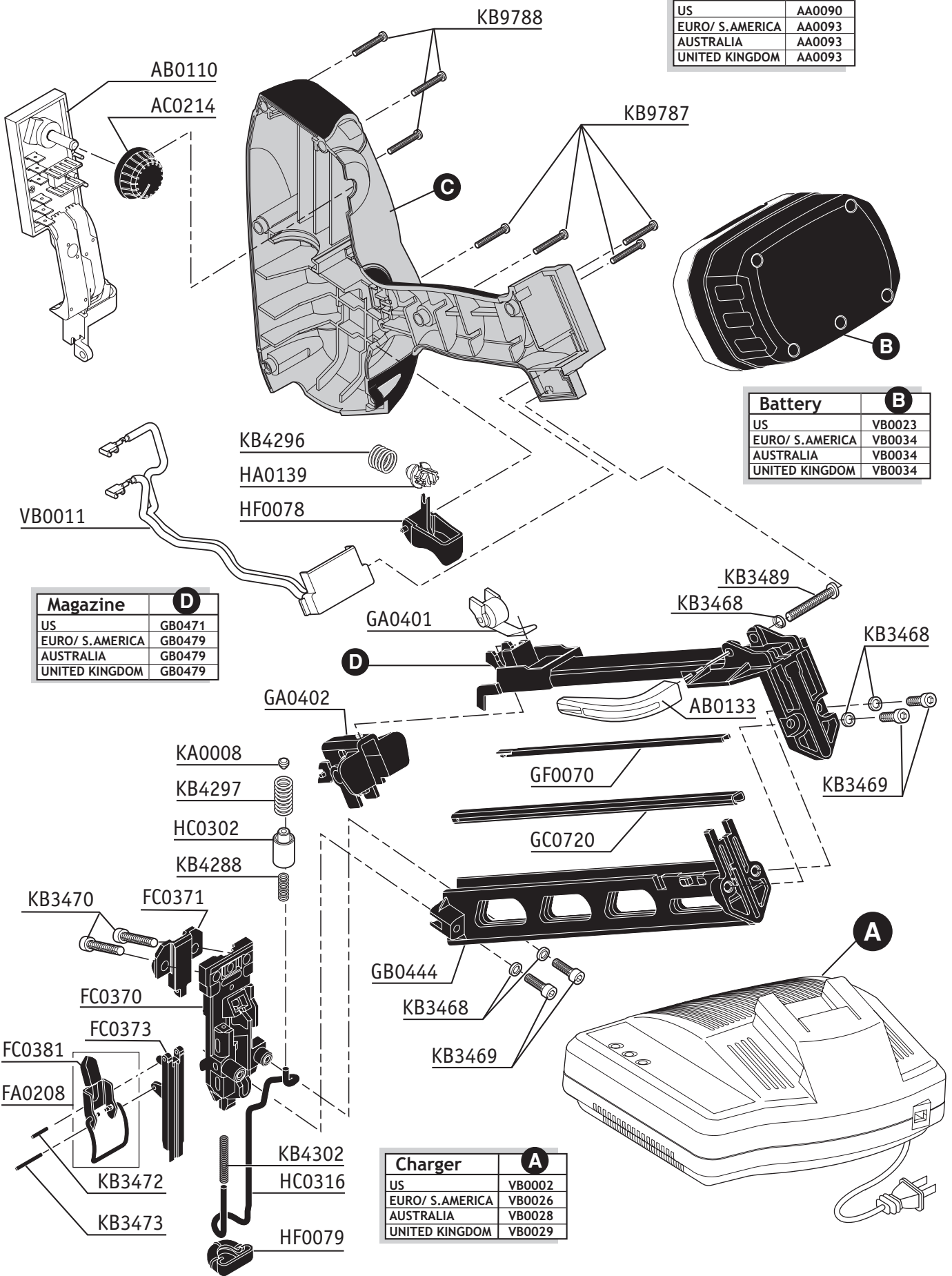
F YK0410 Repair Kit
* Included in Kit

Body Half		C
US	AA0090	
EURO/ S.AMERICA	AA0093	
AUSTRALIA	AA0093	
UNITED KINGDOM	AA0093	

Battery		B
US	VB0023	
EURO/ S.AMERICA	VB0034	
AUSTRALIA	VB0034	
UNITED KINGDOM	VB0034	

Magazine		D
US	GB0471	
EURO/ S.AMERICA	GB0479	
AUSTRALIA	GB0479	
UNITED KINGDOM	GB0479	

Charger		A
US	VB0002	
EURO/ S.AMERICA	VB0026	
AUSTRALIA	VB0028	
UNITED KINGDOM	VB0029	



AirFree® 41 Cordless Finish Nailer

REPLACEMENT PARTS LIST • LISTA DE PARTES DE REPUESTO • ERSATZTEILE-LISTE • LISTE DE PIÈCES DE RECHANGE

PART NO.	DESCRIPTION	DESCRIPCIÓN	BESCHREIBUNG	DÉSIGNATION
AA0090	BODY, RIGHT HALF (US)	CARCASA	GEHÄUSE	CORPS
AA0091	BODY, LEFT HALF	CARCASA	GEHÄUSE	CORPS
AA0093	BODY, RIGHT HALF	CARCASA	GEHÄUSE	CORPS
AB0110	HOUSING	ALOJAMIENTO	GEHÄUSE	CORPS
AB0133	BELT HOOK	GANCHO DE CINTURÓN	GURTHAKEN	CROCHET DE CEINTURE
AC0190	CHASSIS	CHASIS	GEHÄUSE	CHÂSSIS
AC0214	DIAL, SPEED ADJUSTMENT	CUADRANTE DE AJUSTE DE VELOCIDAD	ZIFFERBLATT GESCHWINDIGKEITSEINSTELLUNG	CADRAN, RÉGLAGE DE VITESSE
BA0145	CABLES, DRIVE	CABLES DE TRACCIÓN	ANTRIEBSKABEL	CÂBLES, ENTRAÎNEMENT
BB0202	STOP	TOPE	PUFFER	ARRÊT
BC0332	CYLINDER	CILINDRO	ZYLINDER	CYLINDRE
BC0334	CABLE	CABLE	KABEL	CÂBLE
BC0336	PLATE	PLACA	PLATTE	PLAQUE
BC0348	CAP	TAPA	KAPPE	BOUCHON
BF0243	STOP	TOPE	PUFFER	ARRÊT
EC0349	DRIVER	PERCUSOR	TREIBER	COUTEAU
EC0350	PISTON	PISTON	KOLBEN	PISTON
FA0208	LATCH	UNETA	VERSCHLUSS	DOIGT DE RETENUE
FC0370	BACKPLATE	PLACA	PLATTE	PLAQUE
FC0371	PLATE, TOP FRONT	PLACA	PLATTE	PLAQUE
FC0373	PLATE, BOTTOM FRONT	PLACA	PLATTE	PLAQUE
FC0381	GRIP	AGARRADERO	GRIFF	GAINÉ EN CUIR
GA0401	SPRING, FEEDER	RESORTE	FEDER	RESSORT
GA0402	FEEDER SHOE	ALIMENTADOR	NAGELSCHIEBER	POUSSOIR
GB0444	RAIL, LOWER	CARRIL	SCHIENE	RAIL
GB0471	SHROUD, MAGAZINE (US)	CUBIERTA	BUCHSE	CACHE
GB0479	SHROUD, MAGAZINE (Euro)	CUBIERTA	BUCHSE	CACHE
GC0720	RAIL, UPPER	CARRIL	SCHIENE	RAIL
GF0070	INSERT, UPPER RAIL	ACOPLAMIENTO	EINSATZ	INSERT
HA0139	SLIDE, TRIGGER	PLACA	PLATTE	PLAQUE
HC0302	SPACER	SEPARADOR	DISTANZSTÜCK	ENTRETOISE
HC0316	SAFETY (YOKE) ELEMENT	ASAMBLE DE SEGURO	SICHERHEITSVORRICHTUNG	PALPEUR DE SÉCURITÉ
HF0078	TRIGGER	GATILLO	AUSLÖSER	GÂCHETTE
HF0079	NO-MAR PAD	AMORTIGUADOR	SCHUTZ	COUSSIN
KA0008	BUMPER	AMORTIGUADOR	PUFFER	AMORTISSEUR
KB3430	WASHER	ARANDELA	SCHEIBE	RONDELLE
KB3440	PIN	PASADOR	STIFT	GOUPILLE
KB3441	SCREW	TORNILLO	SCHRAUBE	VIS
KB3462	SCREW	TORNILLO	SCHRAUBE	VIS
KB3468	WASHER	ARANDELA	SCHEIBE	RONDELLE
KB3469	SCREW	TORNILLO	SCHRAUBE	VIS
KB3470	SCREW	TORNILLO	SCHRAUBE	VIS
KB3472	PIN	PASADOR	STIFT	GOUPILLE
KB3473	PIN	PASADOR	STIFT	GOUPILLE
KB3489	SCREW	TORNILLO	SCHRAUBE	VIS
KB4275	SPRING	RESORTE	FEDER	RESSORT
KB4276	SPRING	RESORTE	FEDER	RESSORT
KB4288	SPRING	RESORTE	FEDER	RESSORT
KB4296	SPRING	RESORTE	FEDER	RESSORT
KB4297	SPRING	RESORTE	FEDER	RESSORT
KB4302	SPRING	RESORTE	FEDER	RESSORT
KB9787	SCREW	TORNILLO	SCHRAUBE	VIS
KB9788	SCREW	TORNILLO	SCHRAUBE	VIS
KB9799	SCREW	TORNILLO	SCHRAUBE	VIS
LB0891	SEAL	SELLO	DICHTUNG	JOINT
LB0893	SEAL	SELLO	DICHTUNG	JOINT
VA0008	SOLENOID	SOLENOIDE	MAGNETVENTIL	SOLÉNOÏDE
VB0002	CHARGER (US)	CARAGADOR	LADEGERÄT	CHARGEUR
VB0011	HARNES, BATTERY WIRE	MAZO DE CABLES DE BATERIA	KABELBAUM BATTERIEKABEL	DISTRIBUTION, CÂBLAGE DE BATTERIE
VB0023	BATTERY (US)	BATERIA	BATTERIE	BATTERIE
VB0026	CHARGER (EURO/S. AMER.)	CARAGADOR	LADEGERÄT	CHARGEUR
VB0028	CHARGER (AUSTRALIA)	CARAGADOR	LADEGERÄT	CHARGEUR
VB0029	CHARGER (U.K.)	CARAGADOR	LADEGERÄT	CHARGEUR
VB0034	BATTERY	BATERIA	BATTERIE	BATTERIE
VB0041	MOTOR, DRIVE	MOTOR IMPULSOR	ANTRIEBSMOTOR	MOTEUR, ENTRA
WA0004	BEARING, THRUST	CAPA DEL COJINETE	LAGER	COUSSIN
WA0019	BEARING, BALL	CAPA DEL COJINETE	LAGER	COUSSIN
WB0007	DRUM	TAMBOR	TROMMEL	TOUMBOUR
WC0009	BRACKET, LH CLUTCH SHAFT	SOPORTE	HALTERUNG	CAVALIER
WC0010	BRACKET, RH CLUTCH SHAFT	SOPORTE	HALTERUNG	CAVALIER
WC0018	PLATE, SOLENOID	PLACA	PLATTE	PLAQUE
WC0019	PLATE, END	PLACA	PLATTE	PLAQUE
WC0020	PLATE, FIXED	PLACA	PLATTE	PLAQUE
WC0021	PLATE, DRUM RAMP	PLACA	PLATTE	PLAQUE
WC0052	PLATE, RETARDER	PLACA	PLATTE	PLAQUE
WC0055	BELT, DRIVE	CORRERA DE TRANSMISIÓN	ANTRIEBSRIEMEN	COURROIE, ENTRAÎNEMENT