



# ***AirFree<sup>®</sup> 32***

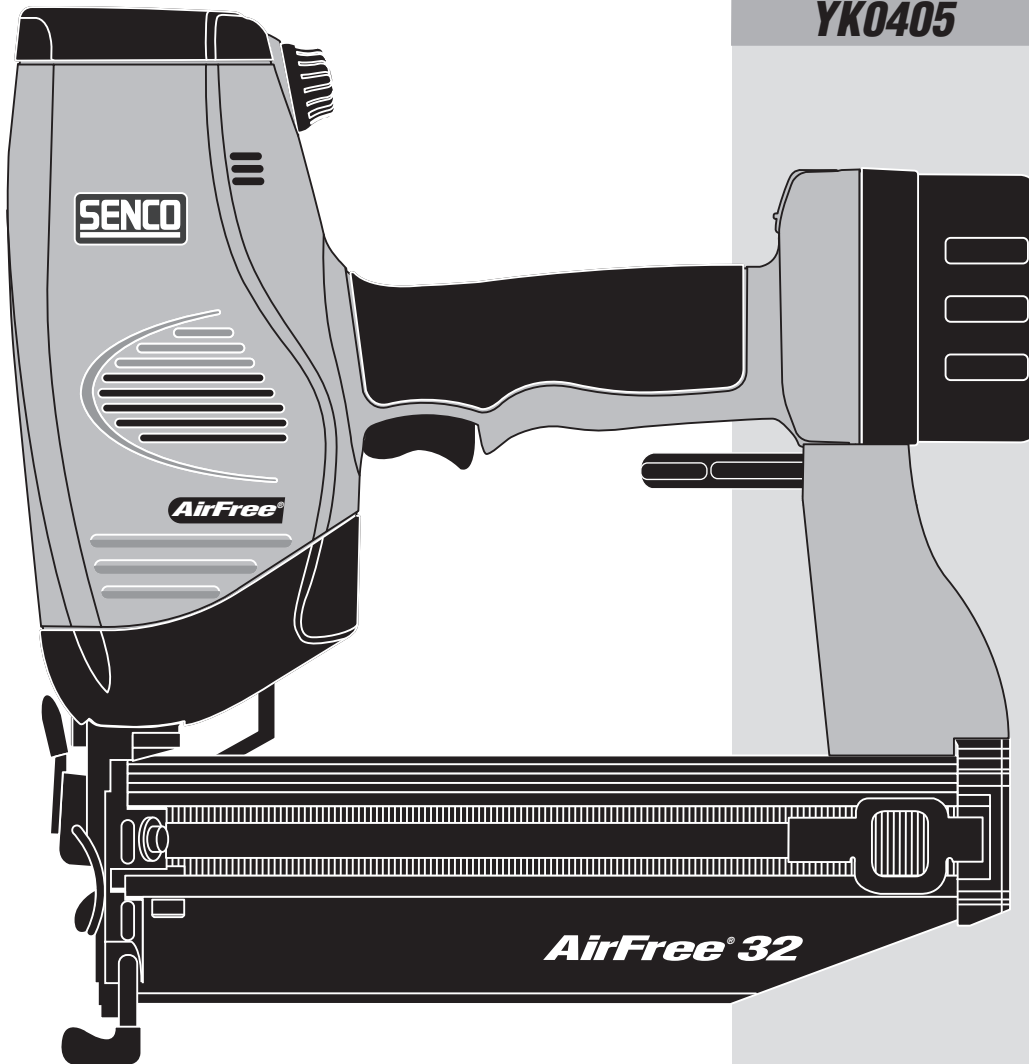
## ***16 ga. Cordless Finish Nailer***



### ***Parts Reference Guide***



**Repair Kits**  
**YK0404**  
**YK0405**



**\* Schematic Drawings inside**

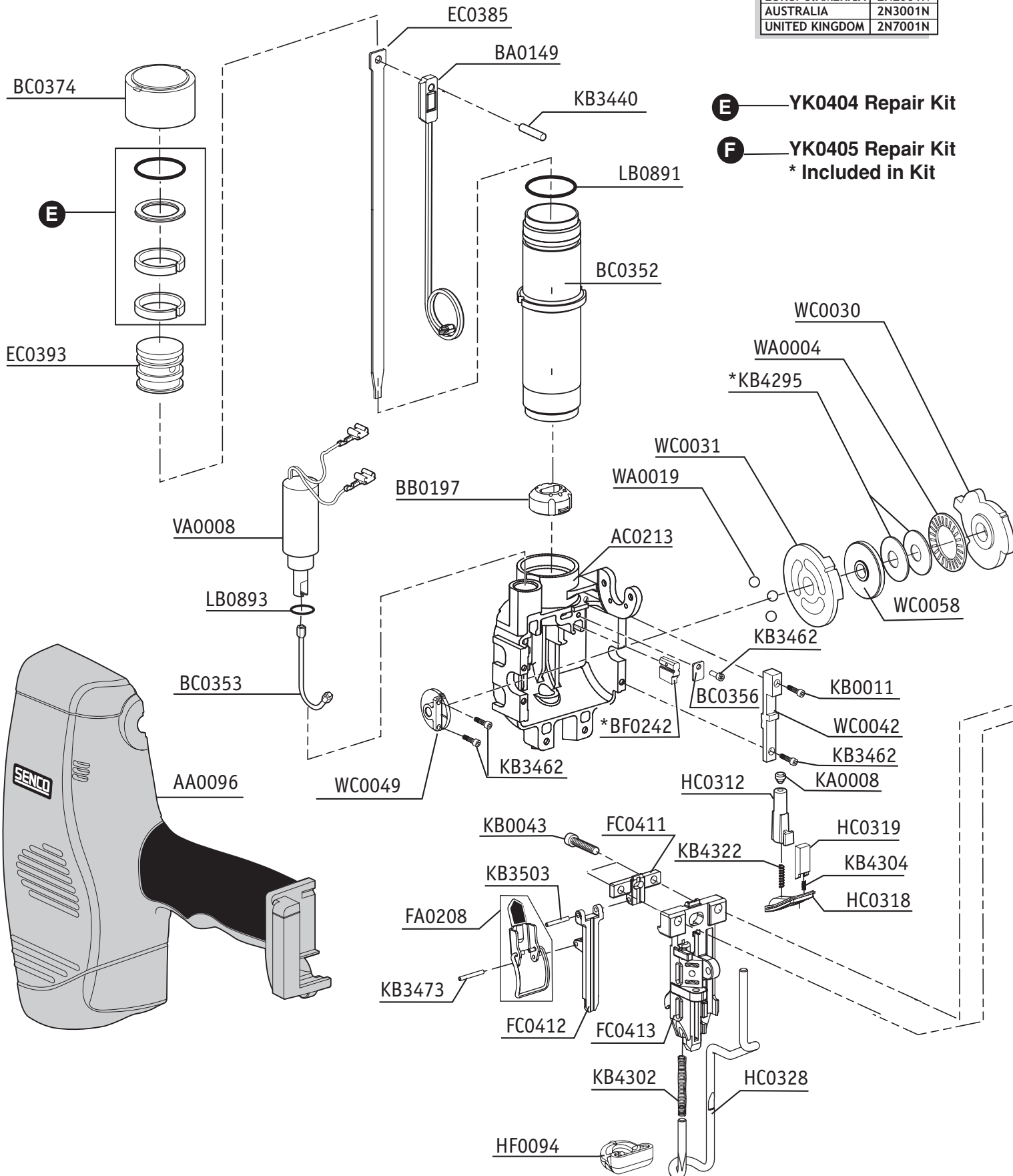
SENCO PRODUCTS, INC.  
8485 BROADWELL RD.  
CINCINNATI, OH 45244  
[www.senco.com](http://www.senco.com)

Questions? Comments? call SENCOS toll-free Action-line:  
1-800-543-4596 (North & South America only)  
or e-mail: [toolprof@senco.com](mailto:toolprof@senco.com)

# AirFree® 32

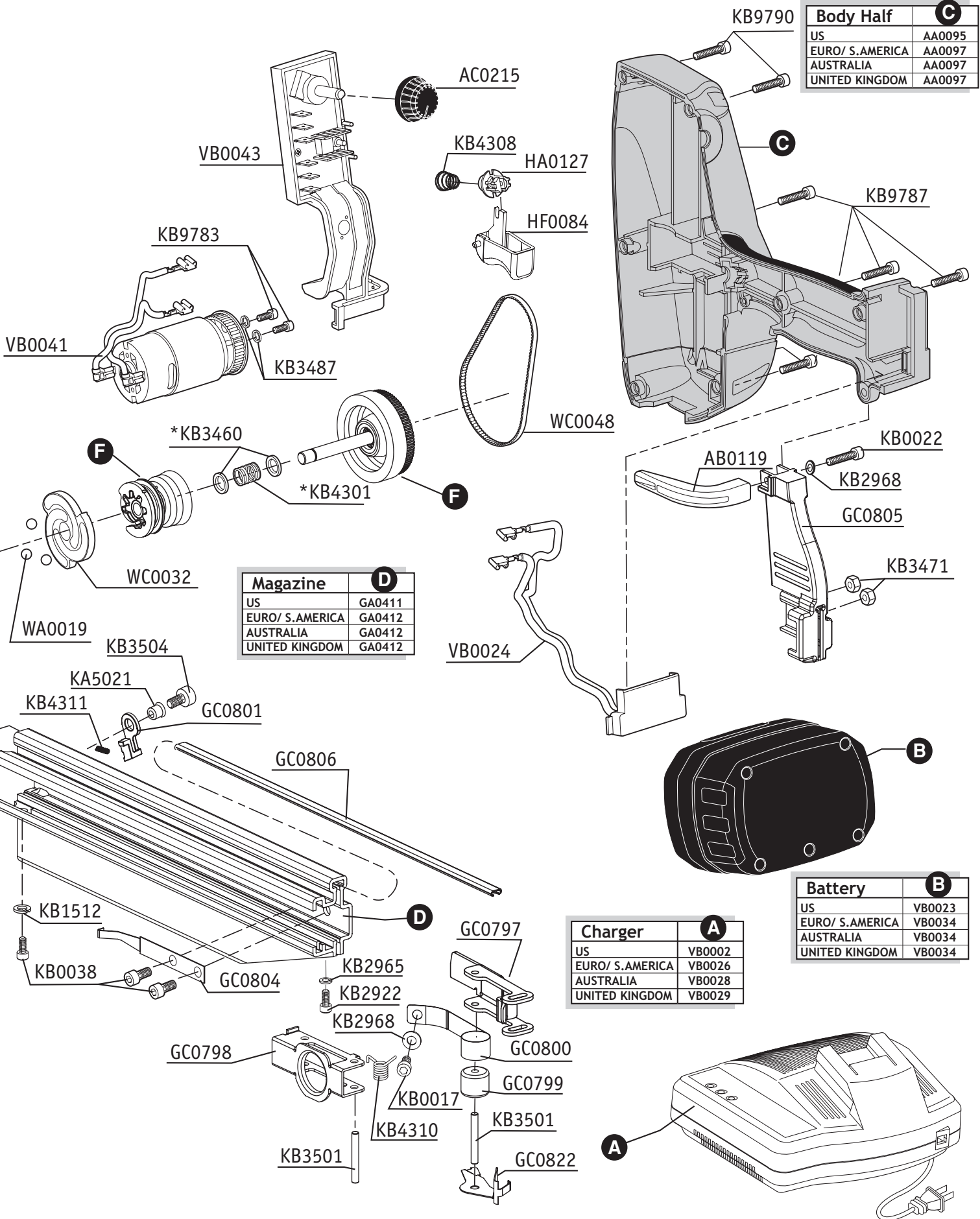


	Model
US	2N0001N
EURO/ S.AMERICA	2N2001N
AUSTRALIA	2N3001N
UNITED KINGDOM	2N7001N



- E** — YK0404 Repair Kit
- F** — YK0405 Repair Kit  
\* Included in Kit

# AirFree® 32



Body Half		C
US	AA0095	
EURO/ S.AMERICA	AA0097	
AUSTRALIA	AA0097	
UNITED KINGDOM	AA0097	

Magazine		D
US	GA0411	
EURO/ S.AMERICA	GA0412	
AUSTRALIA	GA0412	
UNITED KINGDOM	GA0412	

Charger		A
US	VB0002	
EURO/ S.AMERICA	VB0026	
AUSTRALIA	VB0028	
UNITED KINGDOM	VB0029	

Battery		B
US	VB0023	
EURO/ S.AMERICA	VB0034	
AUSTRALIA	VB0034	
UNITED KINGDOM	VB0034	

NFG02N Revised July 2, 2003 (Replaces 6/17/03) © 2002, 2003 by SENC0 Products, Inc. Cincinnati, Ohio 45244-U.S.A.

# AirFree® 32 16 ga. Cordless Finish Nailer

REPLACEMENT PARTSLIST • LISTA DE PARTES DE REPUESTO • ERSATZTEILE-LISTE • LISTE DE PIÈCES DE RECHANGE

PART NO.	DESCRIPTION	DESCRIPCIÓN	BESCHREIBUNG	DÉSIGNATION
AA0095	BODY, RIGHT HALF (US)	CARCASA	GEHÄUSE	CORPS
AA0096	BODY, LEFT HALF	CARCASA	GEHÄUSE	CORPS
AA0097	BODY, RIGHT HALF	CARCASA	GEHÄUSE	CORPS
AB0119	BELT HOOK	GANCHO DE CINTURÓN	GURTHAKEN	CROCHET DE CEINTURE
AC0213	CHASSIS	CHASIS	GEHÄUSE	CHASSIS
AC0215	DIAL, SPEED ADJUSTMENT	CUADRANTE DE AJUSTE DE VELOCIDAD	ZIFFERBLATT GESCHWINDIGKEITSEINSTELLUNG	CADRAN, RÉGLAGE DE VITESSE
BA0149	CABLE, PISTON	CABLE	KABEL	CÂBLE
BB0197	STOP, PISTON	TOPE	PUFFER	ARRÊT
BC0352	SLEEVE, CYLINDER	CILINDRO	ZYLINDER	CYLINDRE
BC0353	CABLE, SOLENOID	CABLE	KABEL	CÂBLE
BC0356	PLATE	PLACA	PLATTE	PLAQUE
BC0374	CAP, SLEEVE	TAPA	KAPPE	BOUCHON
BF0242	STOP, DRUM	TOPE	PUFFER	ARRÊT
EC0385	DRIVER	PERCUSOR	TREIBER	COUTEAU
EC0393	PISTON	PISTON	KOLBEN	PISTON
FA0208	LATCH	UNETA	VERSCHLUSS	DOIGT DE RETENUE
FC0411	PLATE, TOP FRONT	PLACA	PLATTE	PLAQUE
FC0412	PLATE, BOTTOM FRONT	PLACA	PLATTE	PLAQUE
FC0413	BACKPLATE	PLACA	PLATTE	PLAQUE
GA0411	RAIL ASSY (US)	CARRIL	SCHIENE	RAIL
GA0412	RAIL ASSY (EURO/S.AMER./AUST)	CARRIL	SCHIENE	RAIL
GC0797	FEEDER SHOE	ALIMENTADOR	NAGELSCIEBER	POUSSOIR
GC0798	FEEDER SHOE	ALIMENTADOR	NAGELSCIEBER	POUSSOIR
GC0799	ROLLER	RODILLO	ROLLE	GALET
GC0800	SPRING	RESORTE	FEDER	RESSORT
GC0801	BRACKET	SOPORTE	HALTERUNG	CAVALIER
GC0804	RETAINER	JUNTA TORICA	SICHERUNGSRING	RETENUE
GC0805	BRACKET, MOUNTING	SOPORTE	HALTERUNG	CAVALIER
GC0806	INSERT, UPPER RAIL	ACOPLAMIENTO	EINSATZ	INSERT
GC0822	RETAINER	JUNTA TORICA	SICHERUNGSRING	RETENUE
HA0127	SLIDE, TRIGGER	PLACA	PLATTE	PLAQUE
HC0312	HOUSING, SAFETY PLUNGER	ALOJAMIENTO	GEHÄUSE	CORPS
HC0318	COVER	CUBIERTA	ABDECKUNG	COUVERCLE
HC0319	RETAINER	JUNTA TORICA	SICHERUNGSRING	RETENUE
HC0328	SAFETY ELEMENT	ASAMBLE DE SEGURO	SICHERHEITSVORRICHTUNG	PALPEUR DE SÉCURITÉ
HF0084	TRIGGER	GATILLO	AUSLÖSER	GÂCHETTE
HF0094	NO-MAR PAD	AMORTIGUADOR	SCHUTZ	COUSSIN
KA0008	BUMPER	AMORTIGUADOR	PUFFER	AMORTISSEUR
KA5021	BUSHING	CASQUILLO	HULSE	DOUILLE
KB0011	SCREW	TORNILLO	SCHRAUBE	VIS
KB0017	SCREW	TORNILLO	SCHRAUBE	VIS
KB0022	SCREW	TORNILLO	SCHRAUBE	VIS
KB0038	SCREW	TORNILLO	SCHRAUBE	VIS
KB0043	SCREW	TORNILLO	SCHRAUBE	VIS
KB1512	WASHER, LOCK	ARANDELA	SCHIBE	RONDELLE
KB2922	SCREW	TORNILLO	SCHRAUBE	VIS
KB2965	WASHER, FLAT	ARANDELA	SCHIBE	RONDELLE
KB2968	WASHER, FLAT	ARANDELA	SCHIBE	RONDELLE
KB3440	PIN, PISTON/DRIVER	PASADOR	STIFT	GOUPILLE
KB3460	WASHER, FLAT	ARANDELA	SCHIBE	RONDELLE
KB3462	SCREW	TORNILLO	SCHRAUBE	VIS
KB3471	NUT	TUERCA	MUTTER	ÉCROU
KB3473	PIN	PASADOR	STIFT	GOUPILLE
KB3487	WASHER, LOCK	ARANDELA	SCHIBE	RONDELLE
KB3501	PIN	PASADOR	STIFT	GOUPILLE
KB3503	PIN	PASADOR	STIFT	GOUPILLE
KB3504	SCREW	TORNILLO	SCHRAUBE	VIS
KB4295	SPRING, BELLEVILLE	RESORTE	FEDER	RESSORT
KB4301	SPRING	RESORTE	FEDER	RESSORT
KB4302	SPRING	RESORTE	FEDER	RESSORT
KB4304	SPRING	RESORTE	FEDER	RESSORT
KB4308	SPRING	RESORTE	FEDER	RESSORT
KB4310	SPRING, FEEDER SHOE	RESORTE	FEDER	RESSORT
KB4311	SPRING	RESORTE	FEDER	RESSORT
KB4322	SPRING	RESORTE	FEDER	RESSORT
KB9783	SCREW	TORNILLO	SCHRAUBE	VIS
KB9787	SCREW	TORNILLO	SCHRAUBE	VIS
KB9790	SCREW	TORNILLO	SCHRAUBE	VIS
LB0891	SEAL	SELLO	DICHTUNG	JOINT
LB0893	SEAL	SELLO	DICHTUNG	JOINT
VA0008	SOLENOID	SOLENOIDE	MAGNETVENTIL	SOLÉNOÏDE
VB0002	CHARGER (US)	CARAGADOR	LADEGERÄT	CHARGEUR
VB0023	BATTERY (US)	BATERIA	BATTERIE	BATTERIE
VB0024	HARNES, BATTERY WIR	MAZO DE CABLES DE BATERIA	KABELBAUM BATTERIEKABEL	DISTRIBUTION, CÂBLAGE DE BATTERIE
VB0026	CHARGER (EURO/S.AMER.)	CARAGADOR	LADEGERÄT	CHARGEUR
VB0028	CHARGER (AUSTRALIA)	CARAGADOR	LADEGERÄT	CHARGEUR
VB0029	CHARGER (U.K.)	CARAGADOR	LADEGERÄT	CHARGEUR
VB0034	BATTERY (EURO/AUST/UK/SA)	BATERIA	BATTERIE	BATTERIE
VB0041	MOTOR, DRIVE	MOTOR IMPULSOR	ANTRIEBSMOTOR	MOTEUR, ENTRA
VB0043	HOUSING	ALOJAMIENTO	GEHÄUSE	CORPS
WA0004	BEARING, THRUST	CAPA DEL COJINETE	LAGER	COUSSIN
WA0019	BEARING, BALL	CAPA DEL COJINETE	LAGER	COUSSIN
WC0030	PLATE, FIXED	PLACA	PLATTE	PLAQUE
WC0031	PLATE, SOLENOID	PLACA	PLATTE	PLAQUE
WC0032	PLATE, DRUM RAMP	PLACA	PLATTE	PLAQUE
WC0042	RETAINER	JUNTA TORICA	SICHERUNGSRING	RETENUE
WC0048	BELT DRIVE	CORRERA DE TRANSMISION	ANTRIEBSRIEMEN	COURROIE, ENTRAÎNEMENT
WC0049	PLATE, END	PLACA	PLATTE	PLAQUE
WC0058	SPACER	SEPARADOR	DISTANZSTÜCK	ENRETOISE