



# ***AirFree<sup>®</sup> 25***

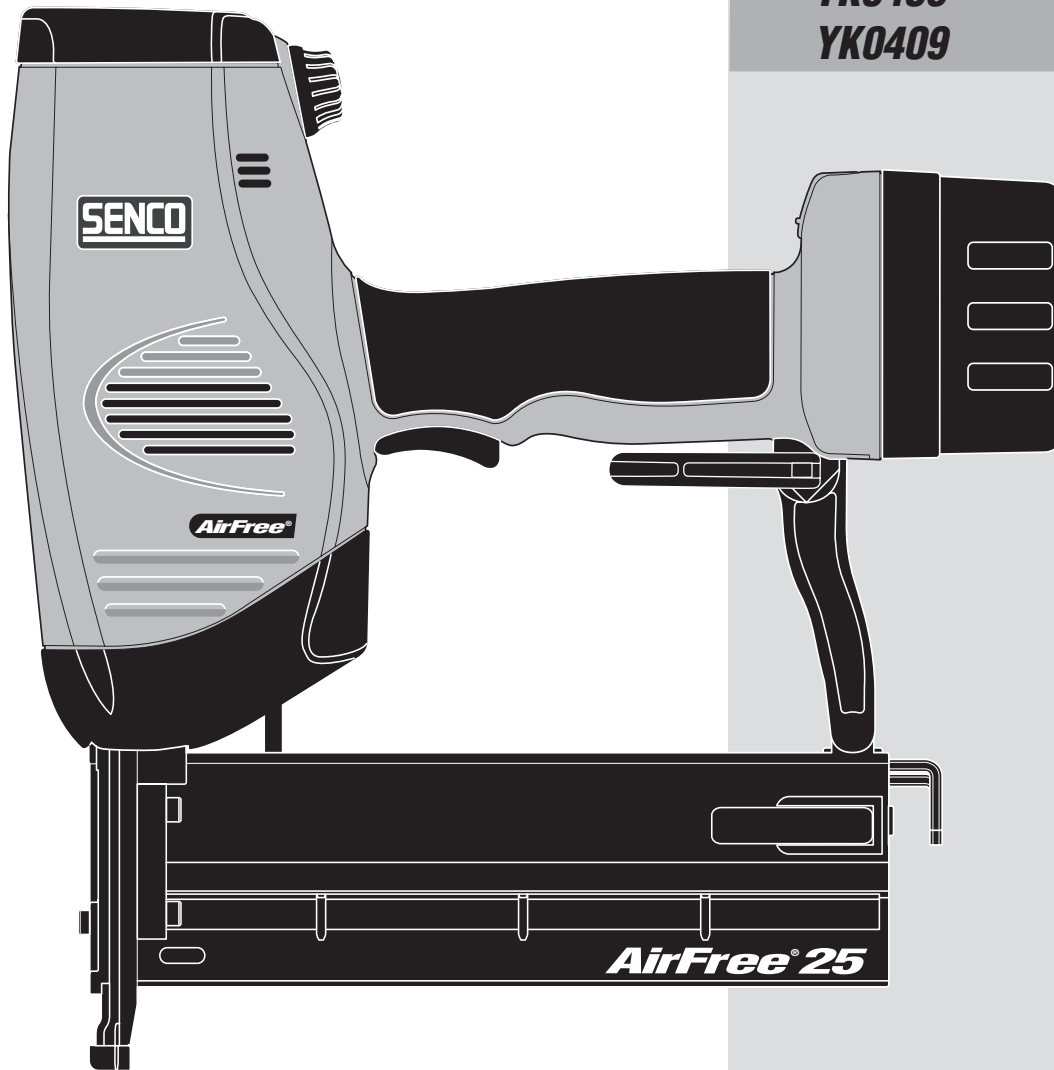
## ***Cordless Brad Nailer***



### ***Parts Reference Guide***



**Repair Kits**  
**YK0408**  
**YK0409**



**\* Schematic Drawings inside**

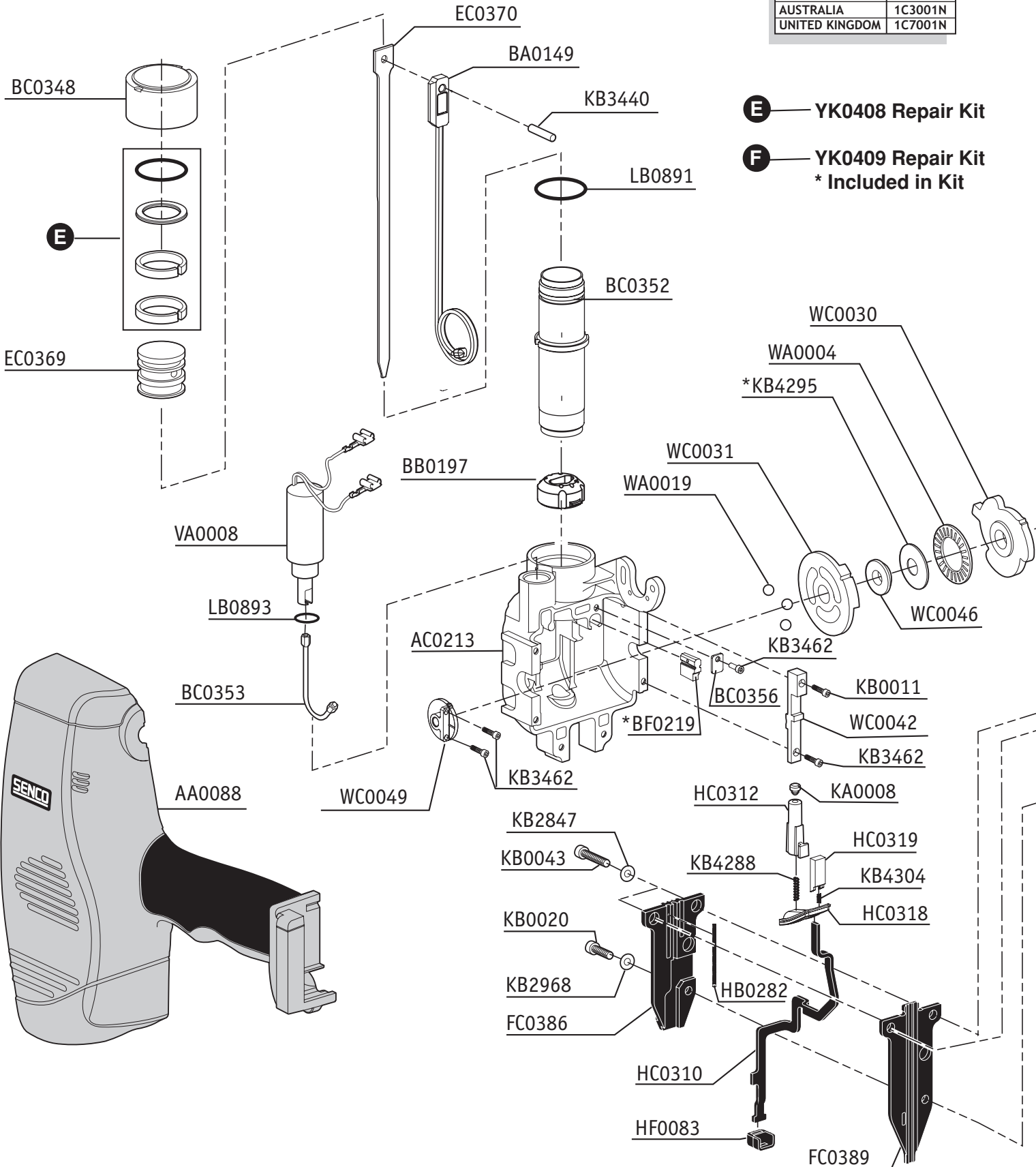
**SENCO PRODUCTS, INC.**  
8485 BROADWELL RD.  
CINCINNATI, OH 45244  
[www.senco.com](http://www.senco.com)

Questions? Comments? call SENCO's toll-free Action-line:  
1-800-543-4596 (North & South America only)  
or e-mail: [toolprof@senco.com](mailto:toolprof@senco.com)

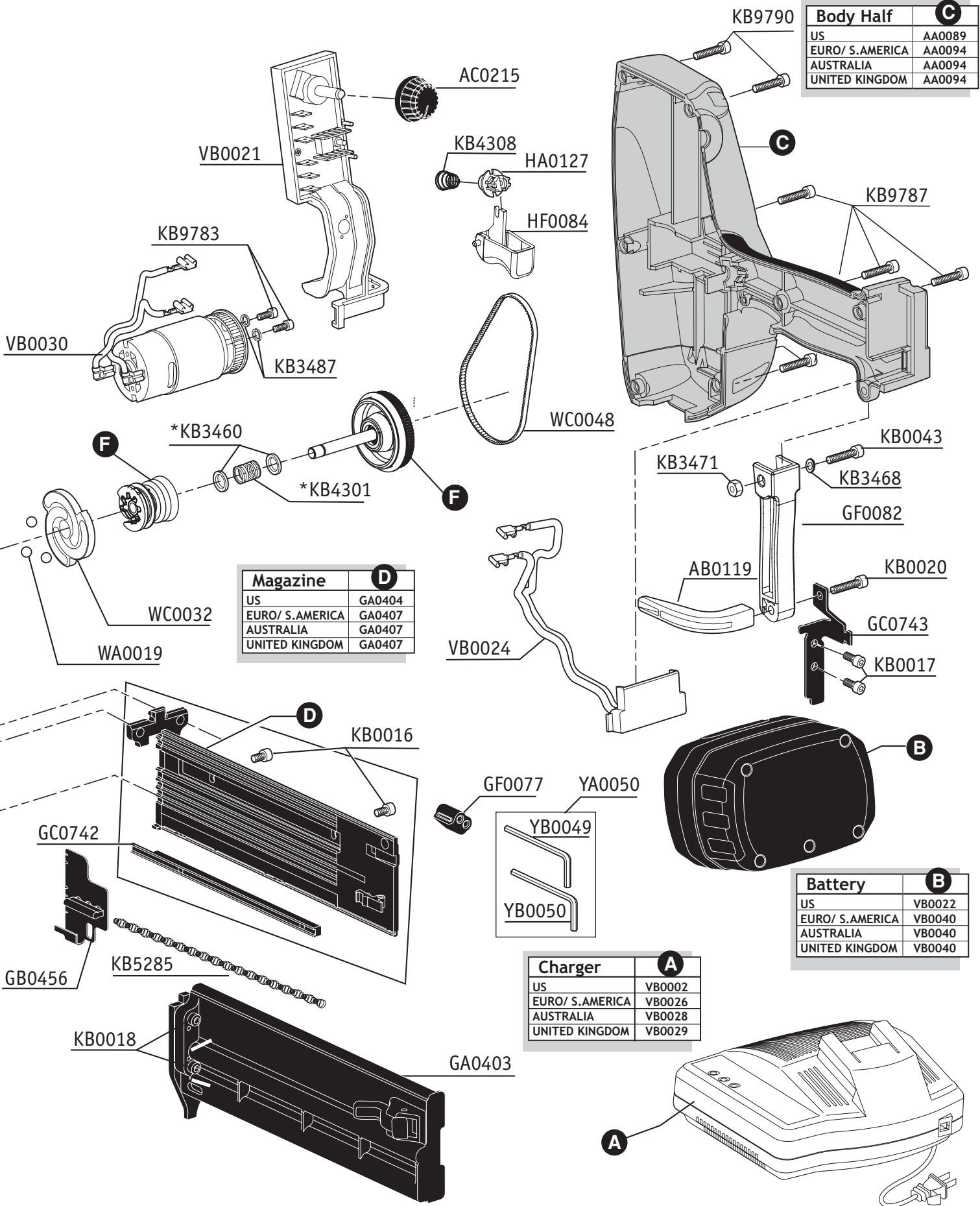
# AirFree® 25



|                 | Model   |
|-----------------|---------|
| US              | 1C0001N |
| EURO/ S.AMERICA | 1C2001N |
| AUSTRALIA       | 1C3001N |
| UNITED KINGDOM  | 1C7001N |



# AirFree® 25



| Body Half       |        | C |
|-----------------|--------|---|
| US              | AA0089 |   |
| EURO/ S.AMERICA | AA0094 |   |
| AUSTRALIA       | AA0094 |   |
| UNITED KINGDOM  | AA0094 |   |

| Magazine        |        | D |
|-----------------|--------|---|
| US              | GA0404 |   |
| EURO/ S.AMERICA | GA0407 |   |
| AUSTRALIA       | GA0407 |   |
| UNITED KINGDOM  | GA0407 |   |

| Charger         |        | A |
|-----------------|--------|---|
| US              | VB0002 |   |
| EURO/ S.AMERICA | VB0026 |   |
| AUSTRALIA       | VB0028 |   |
| UNITED KINGDOM  | VB0029 |   |

| Battery         |        | B |
|-----------------|--------|---|
| US              | VB0022 |   |
| EURO/ S.AMERICA | VB0040 |   |
| AUSTRALIA       | VB0040 |   |
| UNITED KINGDOM  | VB0040 |   |

# AirFree™ 25 Cordless Brad Nailer

REPLACEMENT PARTSLIST • LISTA DE PARTES DE REPUESTO • ERSATSTEILE-LISTE • LISTE DE PIÈCES DE RECHANGE

| PART NO. | DESCRIPTION               | DESCRIPCIÓN                      | BESCHREIBUNG                             | DÉSIGNATION                       |
|----------|---------------------------|----------------------------------|--|-----------------------------------|
| AA0088   | BODY, LEFT HALF           | CARCASA                          | GEHÄUSE                                  | CORPS                             |
| AA0089   | BODY, RIGHT HALF (US)     | CARCASA                          | GEHÄUSE                                  | CORPS                             |
| AA0094   | BODY, RIGHT HALF          | CARCASA                          | GEHÄUSE                                  | CORPS                             |
| AB0119   | BELT HOOK                 | GANCHO DE CINTURÓN               | GURTHAKEN                                | CROCHET DE CEINTURE               |
| AC0213   | CHASSIS                   | CHASIS                           | GEHÄUSE                                  | CHÂSSIS                           |
| AC0215   | DIAL, SPEED ADJUSTMENT    | CUADRANTE DE AJUSTE DE VELOCIDAD | ZIFFERBLATT GESCHWINDINGKEITSEINSTELLUNG | CADRAN, RÉGLAGE DE VITESSE        |
| BA0149   | CABLE, PISTON             | CABLE                            | KABEL                                    | CÂBLE                             |
| BB0197   | STOP, PISTON              | TOPE                             | PUFFER                                   | ARRÊT                             |
| BC0348   | CAP, SLEEVE               | TAPA                             | KAPPE                                    | BOUCHON                           |
| BC0352   | SLEEVE, CYLINDER          | CILINDRO                         | ZYLINDER                                 | CYLINDRE                          |
| BC0353   | CABLE, SOLENOID           | CABLE                            | KABEL                                    | CÂBLE                             |
| BC0356   | PLATE                     | PLACA                            | PLATTE                                   | PLAQUE                            |
| BF0219   | STOP, DRUM                | TOPE                             | PUFFER                                   | ARRÊT                             |
| EC0369   | PISTON                    | PISTON                           | KOLBEN                                   | PISTON                            |
| EC0370   | DRIVER                    | PERCUSOR                         | TREIBER                                  | COUTEAU                           |
| FC0386   | COVER                     | CUBIERTA                         | ABDECKUNG                                | COUVERCLE                         |
| FC0389   | FRONT PLATE               | PLACA                            | PLATTE                                   | PLAQUE                            |
| GA0403   | RAIL ASSY, MOVEABLE       | CARRIL                           | SCHIENE                                  | RAIL                              |
| GA0404   | RAIL ASSY, FIXED (US)     | CARRIL                           | SCHIENE                                  | RAIL                              |
| GA0407   | RAIL ASSY, FIXED (EURO)   | CARRIL                           | SCHIENE                                  | RAIL                              |
| GB0456   | FEEDER SHOE               | ALIMENTADOR                      | NAGELSCIEBER                             | POUSSOIR                          |
| GC0742   | RAIL, MAGAZINE ADJUSTER   | CARRIL                           | SCHIENE                                  | RAIL                              |
| GC0743   | BRACKET, MOUNTING         | SOPORTE                          | HALTERUNG                                | CAVALIER                          |
| GF0077   | HOLDER, WRENCH            | SOPORTE                          | HALTERUNG                                | CAVALIER                          |
| GF0082   | BRACKET                   | SOPORTE                          | HALTERUNG                                | CAVALIER                          |
| HA0127   | SLIDE, TRIGGER            | PLACA                            | PLATTE                                   | PLAQUE                            |
| HB0282   | SPRING                    | RESORTE                          | FEDER                                    | RESSORT                           |
| HC0310   | SAFETY ELEMENT            | ASAMBLE DE SEGURO                | SICHERHEITSVORRICHTUNG                   | PALPEUR DE SÉCURITÉ               |
| HC0312   | HOUSING, SAFETY PLUNGER   | ALOJAMIENTO                      | GEHÄUSE                                  | CORPS                             |
| HC0318   | COVER                     | CUBIERTA                         | ABDECKUNG                                | COUVERCLE                         |
| HC0319   | RETAINER                  | JUNTA TÓRICA                     | SICHERUNGSRING                           | RETENUE                           |
| HF0083   | NO-MAR PAD                | AMORTIGUADOR                     | SCHUTZ                                   | COUSSIN                           |
| HF0084   | TRIGGER                   | GATILLO                          | AUSLÖSER                                 | GÂCHETTE                          |
| KA0008   | BUMPER                    | AMORTIGUADOR                     | PUFFER                                   | AMORTISSEUR                       |
| KB0011   | SCREW                     | TORNILLO                         | SCHRAUBE                                 | VIS                               |
| KB0016   | SCREW                     | TORNILLO                         | SCHRAUBE                                 | VIS                               |
| KB0017   | SCREW                     | TORNILLO                         | SCHRAUBE                                 | VIS                               |
| KB0018   | SCREW                     | TORNILLO                         | SCHRAUBE                                 | VIS                               |
| KB0020   | SCREW                     | TORNILLO                         | SCHRAUBE                                 | VIS                               |
| KB0043   | SCREW                     | TORNILLO                         | SCHRAUBE                                 | VIS                               |
| KB2847   | BUSHING                   | CASQUILLO                        | HÜLSE                                    | DOUILLE                           |
| KB2968   | WASHER, FLAT              | ARANDELA                         | SCHEIBE                                  | RONDELLE                          |
| KB3440   | PIN, PISTON/DRIVER        | PASADOR                          | STIFT                                    | GOUPILLE                          |
| KB3460   | WASHER, FLAT              | ARANDELA                         | SCHEIBE                                  | RONDELLE                          |
| KB3462   | SCREW                     | TORNILLO                         | SCHRAUBE                                 | VIS                               |
| KB3468   | WASHER, FLAT              | ARANDELA                         | SCHEIBE                                  | RONDELLE                          |
| KB3471   | NUT                       | TUERCA                           | MUTTER                                   | ÉCROU                             |
| KB3487   | WASHER, LOCK              | ARANDELA                         | SCHEIBE                                  | RONDELLE                          |
| KB4288   | SPRING                    | RESORTE                          | FEDER                                    | RESSORT                           |
| KB4295   | SPRING, BELLEVILLE        | RESORTE                          | FEDER                                    | RESSORT                           |
| KB4301   | SPRING                    | RESORTE                          | FEDER                                    | RESSORT                           |
| KB4304   | SPRING                    | RESORTE                          | FEDER                                    | RESSORT                           |
| KB4308   | SPRING                    | RESORTE                          | FEDER                                    | RESSORT                           |
| KB5285   | SPRING, FEEDER SHOE       | RESORTE                          | FEDER                                    | RESSORT                           |
| KB9783   | SCREW                     | TORNILLO                         | SCHRAUBE                                 | VIS                               |
| KB9787   | SCREW                     | TORNILLO                         | SCHRAUBE                                 | VIS                               |
| KB9790   | SCREW                     | TORNILLO                         | SCHRAUBE                                 | VIS                               |
| LB0891   | SEAL                      | SELLO                            | DICHTUNG                                 | JOINT                             |
| LB0893   | SEAL                      | SELLO                            | DICHTUNG                                 | JOINT                             |
| VA0008   | SOLENOID                  | SOLENOIDE                        | MAGNETVENTIL                             | SOLÉNOÏDE                         |
| VB0002   | CHARGER (US)              | CARAGADOR                        | LADEGERÄT                                | CHARGEUR                          |
| VB0021   | HOUSING                   | ALOJAMIENTO                      | GEHÄUSE                                  | CORPS                             |
| VB0022   | BATTERY (US)              | BATERIA                          | BATTERIE                                 | BATTERIE                          |
| VB0024   | HARNES, BATTERY WIR       | MAZO DE CABLES DE BATERIA        | KABELBAUM BATTERIEKABEL                  | DISTRIBUTION, CÂBLAGE DE BATTERIE |
| VB0026   | CHARGER (EURO/S. AMER.)   | CARAGADOR                        | LADEGERÄT                                | CHARGEUR                          |
| VB0028   | CHARGER (AUSTRALIA)       | CARAGADOR                        | LADEGERÄT                                | CHARGEUR                          |
| VB0029   | CHARGER (U.K.)            | CARAGADOR                        | LADEGERÄT                                | CHARGEUR                          |
| VB0030   | MOTOR, DRIVE              | MOTOR IMPULSOR                   | ANTRIEBSMOTOR                            | MOTEUR, ENTRA                     |
| VB0040   | BATTERY (EURO/AUST/UK/SA) | BATERIA                          | BATTERIE                                 | BATTERIE                          |
| WA0004   | BEARING, THRUST           | CAPA DEL COJINETE                | LAGER                                    | COUSSIN                           |
| WA0019   | BEARING, BALL             | CAPA DEL COJINETE                | LAGER                                    | COUSSIN                           |
| WC0030   | PLATE, FIXED              | PLACA                            | PLATTE                                   | PLAQUE                            |
| WC0031   | PLATE, SOLENOID           | PLACA                            | PLATTE                                   | PLAQUE                            |
| WC0032   | PLATE, DRUM RAMP          | PLACA                            | PLATTE                                   | PLAQUE                            |
| WC0042   | RETAINER                  | JUNTA TÓRICA                     | SICHERUNGSRING                           | RETENUE                           |
| WC0046   | SPACER                    | SEPARADOR                        | DISTANZSTÜCK                             | ENRETOISE                         |
| WC0048   | BELT DRIVE                | CORRERA DE TRANSMISIÓN           | ANTREIBSRIEMEN                           | COURROIE, ENTRAÎNEMENT            |
| WC0049   | PLATE, END                | PLACA                            | PLATTE                                   | PLAQUE                            |
| YA0050   | WRENCH, KIT               | HERRAMIENTA                      | GERÄT                                    | APPAREIL                          |
| YB0049   | WRENCH, 9/64 HEX          | HERRAMIENTA                      | GERÄT                                    | APPAREIL                          |
| YB0050   | WRENCH, 5/32 HEX          | HERRAMIENTA                      | GERÄT                                    | APPAREIL                          |